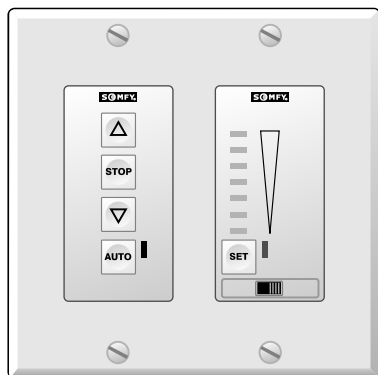




Decorator Comfort Control (DCC)

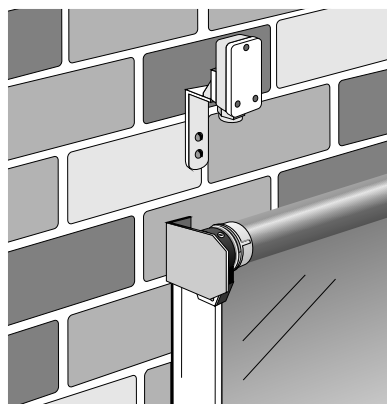
Installation and Operation Instructions



DESCRIPTION

The Decorator Comfort Control (DCC) enables a solar screen to provide shading from the sun automatically and conveniently. The DCC sun sensor continually monitors sun intensity, triggering the control unit to raise or lower as needed. The summer/winter switch allows for maximum sunlight in winter and maximum shading in summer.

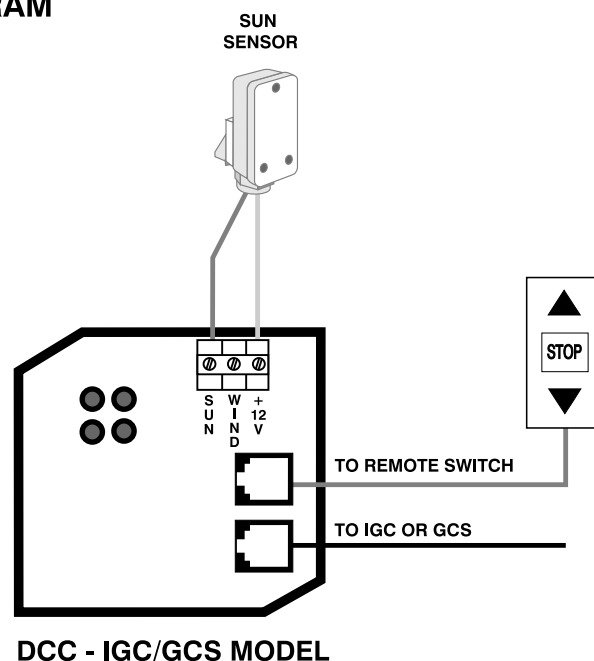
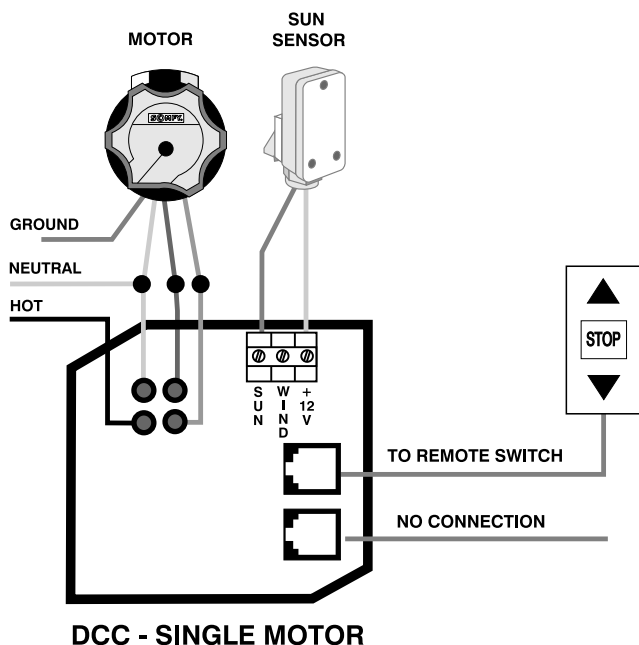
The Decorator Comfort Control features advanced circuitry that assures factory preset accuracy and proven reliability. It aids in protecting furniture and carpeting from fading and saves on heating and air conditioning costs. With its sleek new design, the DCC will complement any home decor. Combine this with the capability of being linked to SOMFY'S Group Control and IGC systems, and you've got the most flexible product on the market today!



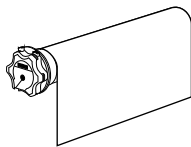
INSTALLATION PROCEDURES

1. Make sure that the sun sensor is facing the sun and not shaded by trees or other building structures. It should be mounted as high as possible, no more than 100 feet from the Decorator Comfort Control. The detection angle is up to 100 degrees wide from the center of the sensor face. Connect the sensor wires to the terminal block as shown below.
2. For the Single Motor model, connect the motor wires to the DCC as illustrated below.
3. For the IGC/GCS models, using appropriate length telephone cable, connect from the IGC/GCS connector on the Decorator Comfort Control to the Master connector on the IGC or GCS. Please refer to the IGC or GCS instructions for further information.

DCC WIRING DIAGRAM

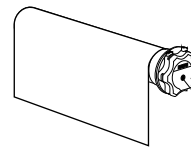


**MOTOR TO THE LEFT
OF THE SOLAR SCREEN**



LINE VOLTAGE WIRING

**MOTOR TO THE RIGHT
OF THE SOLAR SCREEN**



MOTOR	DECORATOR COMFORT CONTROL	SOURCE
BLACK	BROWN	
RED	RED	
WHITE	WHITE	WHITE
	BLACK	BLACK
GREEN		GREEN

NOTE: Before proceeding with the line voltage wiring, the UP and DOWN limits of the motor should be set using the Somfy tester cable (Cat. No. 6020086). Please refer to the limit switch instructions packaged with each Somfy motor.

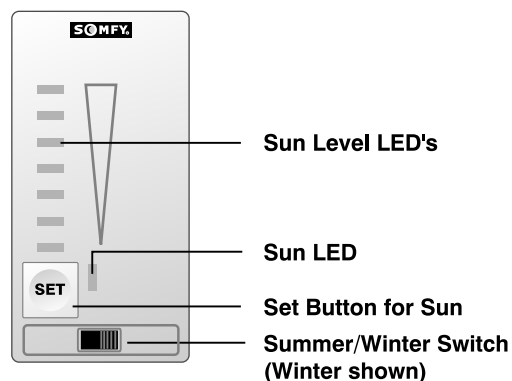
MOTOR	DECORATOR COMFORT CONTROL	SOURCE
BLACK	RED	
RED	BROWN	
WHITE	WHITE	WHITE
	BLACK	BLACK
GREEN		GREEN

OPERATING PROCEDURES

- Pressing the UP button will move the solar screen up, while the DOWN button will lower the solar screen when pressed. If a motor does not move in the correct direction, turn off the circuit breakers and reverse the red and black wires at the corresponding motor.
- Pressing the STOP button will stop the motor in its present position.
- When the monitored sun intensity is greater than the DCC setting, the DOWN direction will activate after 3.5 minutes. The sun LED will light for as long as this condition exists. If the sun intensity is less than the DCC setting, the UP direction will activate, if previously down, after 12 minutes. The sun LED will blink during this time period.
- When the AUTO button is pressed, the AUTO LED will turn on or off depending on its previous status. Manual mode is designated by the LED being off. If the DCC is in manual mode, the sun level has no influence on motor control.
- With the Summer/Winter switch in the SUMMER position (to the left), the Comfort Control sun functions will operate as outlined above. When the switch is in the WINTER position (to the right) the Comfort Control sun functions will operate in the opposite directions.

SETTING THE SUN LEVEL

- Pressing the sun set button for less than 2 seconds will display the current sun setting on the row of yellow LEDs. One LED will light for 5 seconds to signify the level. The DCC is factory preset at the exact middle.
- Depressing sun switch for more than 2 seconds will cause the coinciding row of LEDs to turn on in sequence. Starting from the bottom LED, or lowest level, to the top LED, or highest level, the sequence will repeat until the set button is released. When the LED matching the desired level is lit, release the button. This will establish the new threshold setting.



TEST PROCEDURES

To verify proper operation of the Decorator Comfort Control after initial installation, please follow the following steps.

- Verify proper operation of the motor; pressing the UP button should raise the solar screen, pressing DOWN should lower the solar screen, and the STOP button should stop the solar screen at its present position.
- The AUTO LED should turn on and off when the AUTO switch is pressed.
- One sun level LED should light if the sensor is activated by either the sun or other light source, such as a flashlight.
- To reset the lock-out delay, interrupt the power to the Decorator Comfort Control.

SOMFY SYSTEMS, INC.
47 Commerce Drive
Cranbury, NJ 08512

SOMFY CANADA
6315 Shawson Drive, Unit #1
Mississauga, Ontario L5T1J2

SOMFY MEXICO S.A. De C.V.
Calle 3 No.47, Loc.E-5
Fracc Ind. Alce Blanco
Nau.,Edo. de Mex C.P. 53370,Mex

**SOMFY SYSTEMS, INC. reserves
the right to change, update or
improve this document without
prior notice.**