

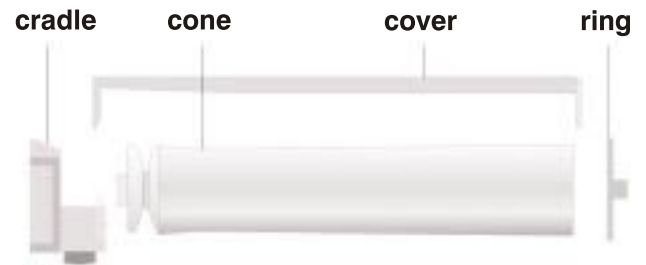


CTS25/Concept 25

Fabrication Instructions for Pleated/Cellular Shades

DESCRIPTION

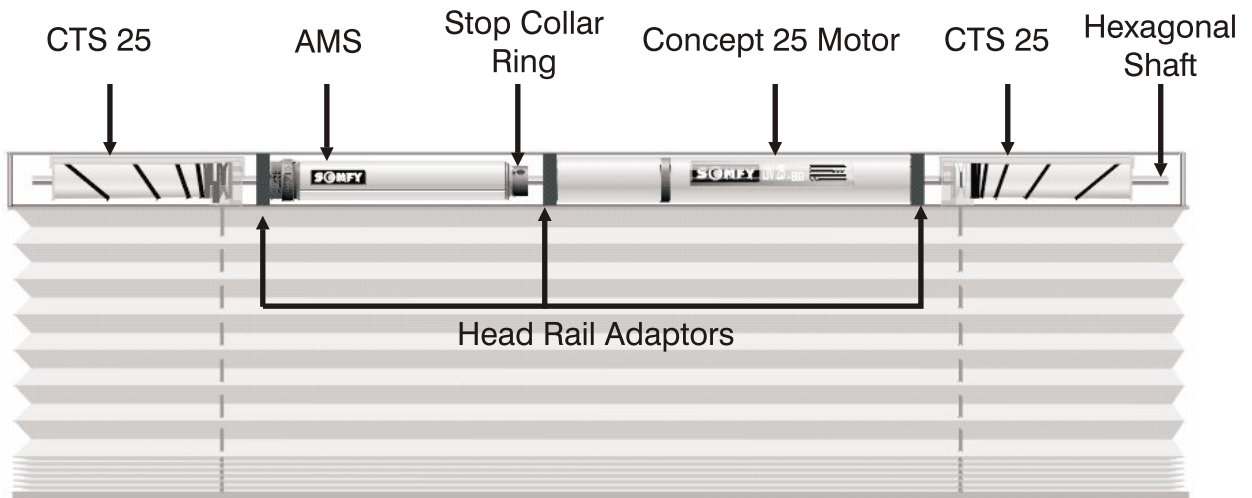
The new patented Cord Take-Up System (CTS) for window coverings enables lift and tilt functions and prevents cord slippage, tangling and overlap. By using the Cord Take-Up System versus a tape lift system, you achieve increased product reliability, and smoother more uniform operation. What's more, fabricating window coverings with (CTS) is an easier process.



- Motor LV or LW Concept 25 (B44/B64//B83)
- AMS (#6050000)
- Headrail adapters (Depending on headrail used)
- CTS25 Kit (Depending on headrail used)
- 5mm Hexagonal Shaft (#6050406)
- 5mm Hexagonal Shaft Adapters (#6050003)
- Stop Collar Ring for 5mm Shaft (#6050400)

Motorization with Concept 25 is quite simple... Comprised of only 7 primary components, this 24V DC LOW VOLTAGE motorization system can lift and tilt the largest of blinds, shades etc.

SYSTEM CONFIGURATIONS LV & LW



PLEATED/CELLULAR SHADES

TECHNICAL SPECIFICATIONS

MINIMUM WIDTH OF SHADE				
Motor Type	1 1/2 Inch Route Hole	4 1/4 Inch Route Hole	6 Inch Route Hole	6 3/4 Inch Route Hole
LV Motor				21 1/8"
LW Motor	24 3/4"	24 1/4"	27 3/4"	

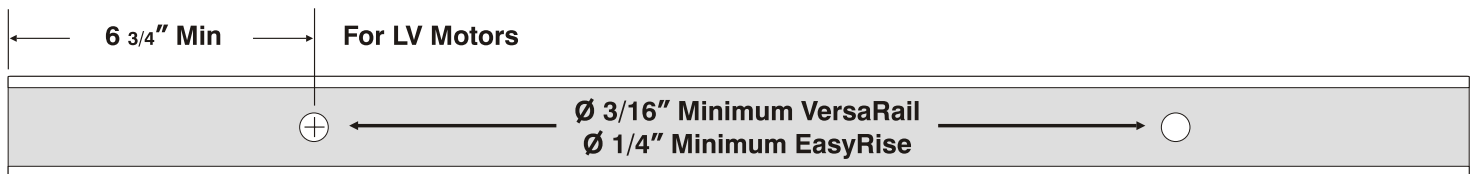
Motor Type	Output Shaft	Maximum area for Pleated Shades Sq. ft.	Maximum area for Cellular Shades Sq. ft.	Maximum height with 1.4 mm cord	Speed (RPM)
LV 25-B44	Single	60 Sq. ft.	53 Sq. Ft.	11.5 Ft.	40
LV 25-B64	Single	90 Sq. ft.	75 Sq. Ft.	11.5 Ft.	35
LW 25-B44	Double	60 Sq. ft.	53 Sq. Ft.	11.5 Ft.	40
LW 25-B83	Double	120 Sq. ft.	105 Sq. Ft.	11.5 Ft.	30

Specifications based on motors used with (CTS). They are approximate and may vary depending on product application, fabric etc.

ASSEMBLY INSTRUCTIONS

A. Headrail Preparation

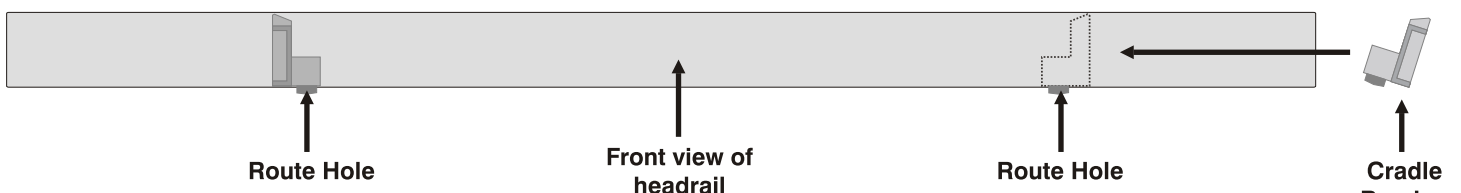
1. Cut or specify headrail width that is suitable for shade application.
2. Drill or punch cord route holes into headrail. (Note: route holes must be round and measure at least 3/16" for VersaRail and 1/4" for EasyRise headrails). **See above chart for route hole positions and shade width minimums.**



IMPORTANT: If LW type motor is used, proceed to Motor and AMS installation (Section D: Steps 1-3) Prior to performing the CTS Assembly (Section B.)

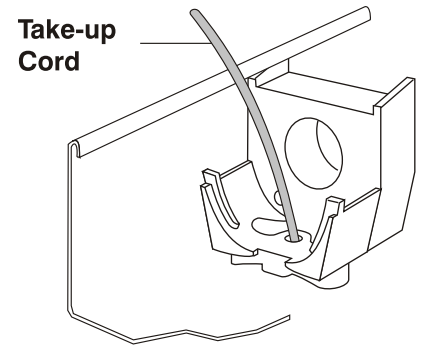
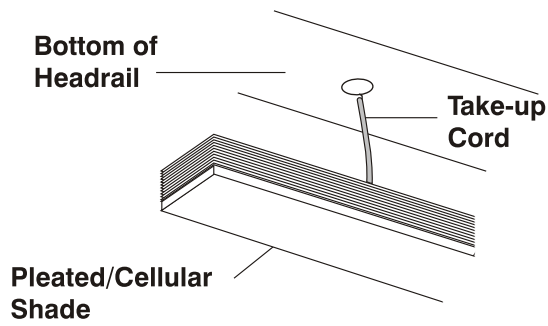
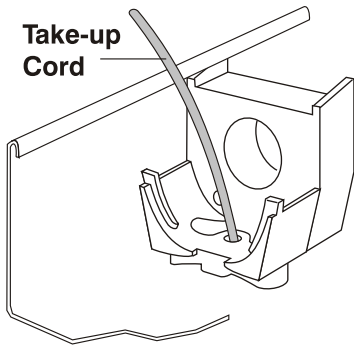
B. CTS Assembly

1. Slide cradle bearings into headrail and align at pre-punched route holes. Ensure that cradles are seated correctly into route holes of headrail.

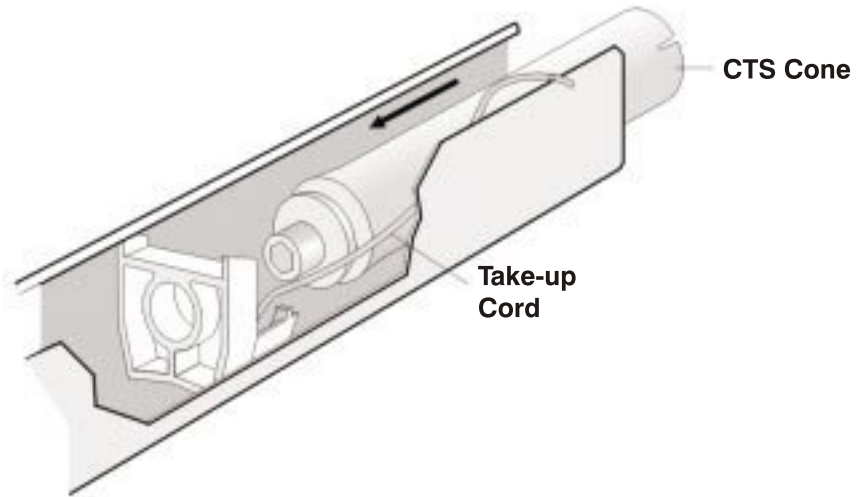


B. CTS Assembly Continued

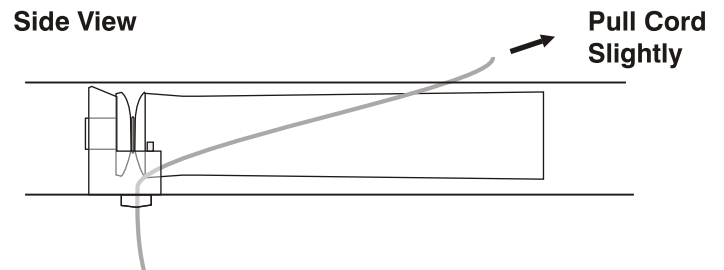
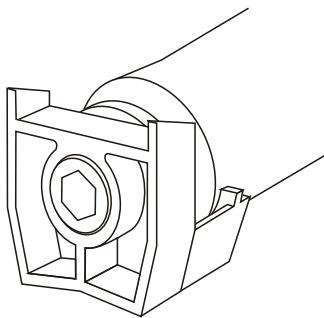
2. Feed the take-up cords through the hole of the cradle bearings.



3. Slide each cone into headrail.



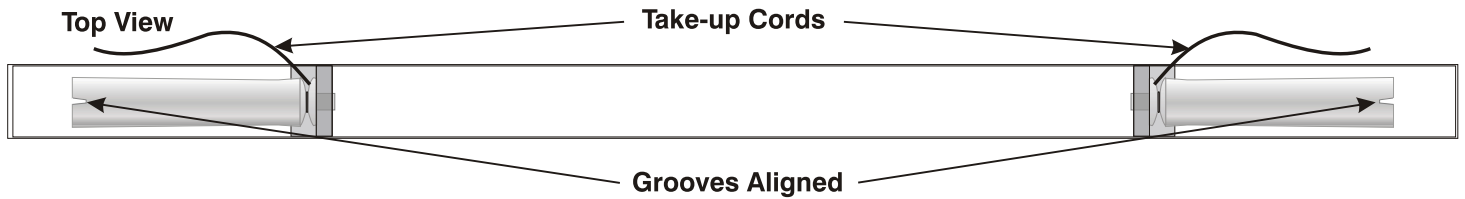
4. Insert tip of each cone into cradle bearings.



5. Lightly pull on each take-up cord to be certain they are not restricted.

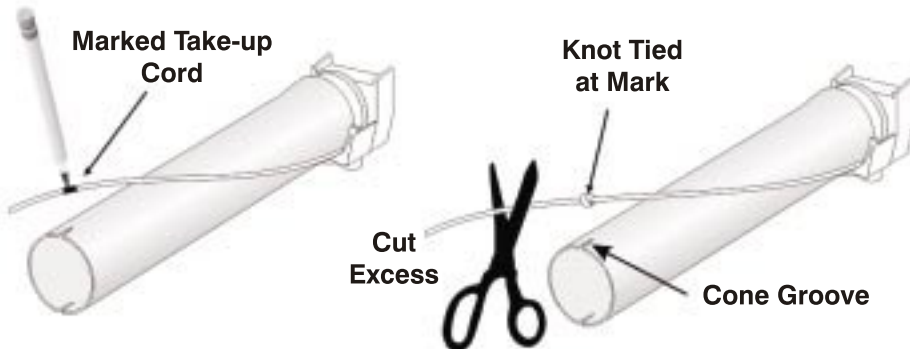
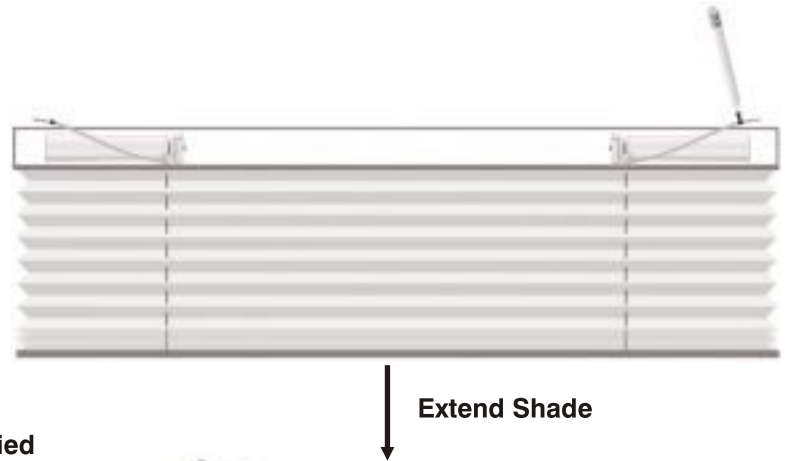
C. Securing Take-up Cords

1. Align the grooves at the end of each cone.

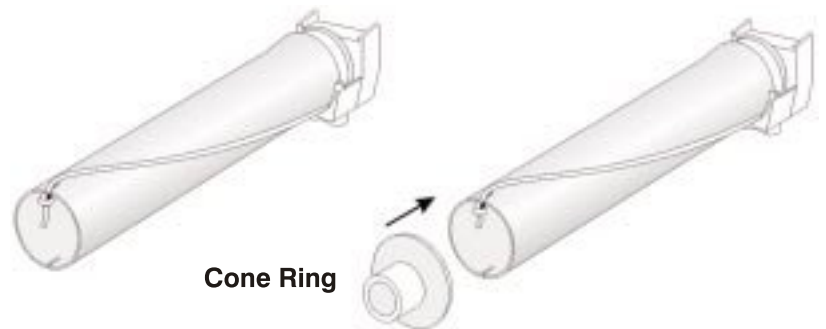


Note: Steps 2 and 3 may be eliminated if take-up cords are initially cut/measured to same lengths. Simply tie knots in each cord, and proceed to step 4. Final cord adjustment (for shade levelness) may be completed at bottom rail of shade.

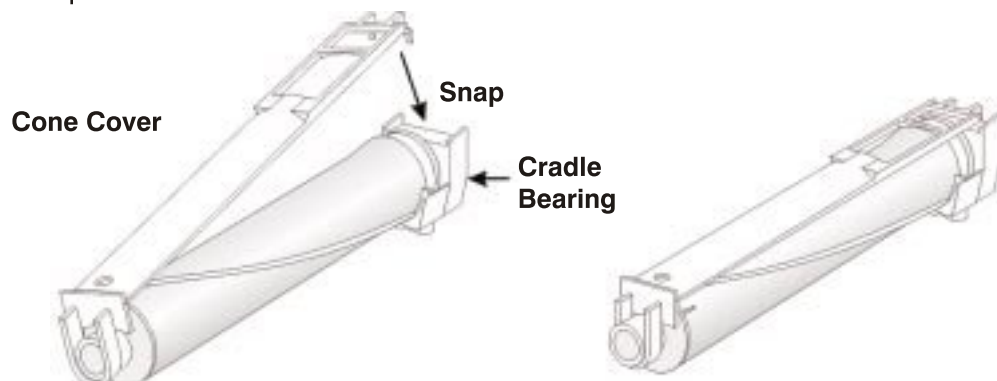
2. Temporarily hang the shade and extend to a "lowered position." (be certain take-up cords remain accessible.)
3. With shade hanging in a "lowered position" carefully mark each take-up cord with regard to each aligned groove and tie knot. (see detail).



4. Insert take-up cord knot into groove of cone and fasten cone ring as shown.



5. Attach cone ring and "snap" cone cover onto cradle bearing



D. Motor and AMS Installation

1. Install shaft adapter(s) into motor and AMS

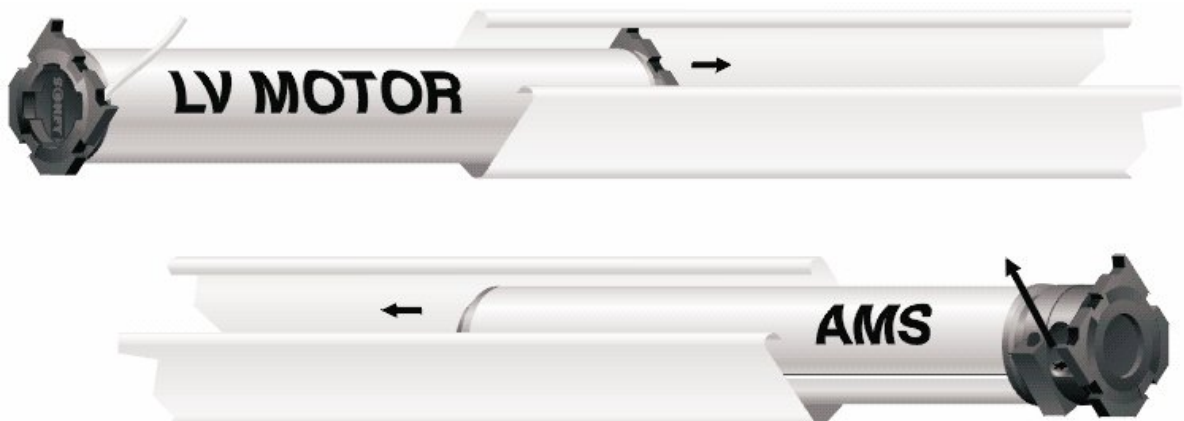


2. Snap headrail adapters onto motor and AMS (Be certain that headrail adapters are positioned in the same orientation.)



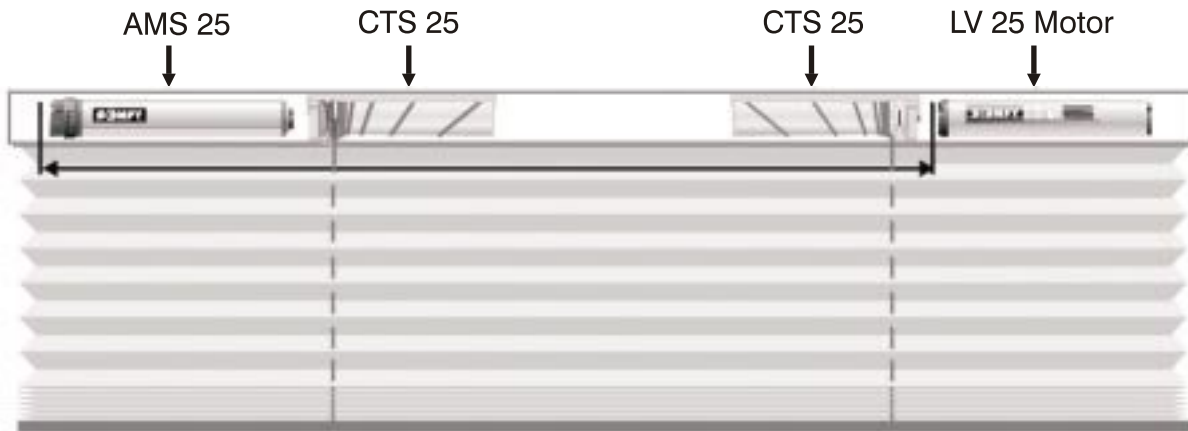
3. Slide motor and AMS into headrail. (Be certain that headrail adapters are aligned to match headrail profile.)

Note: If LW type motor is used, steps 1 and 3 should be performed prior to CTS assembly (section B: steps 1-5)

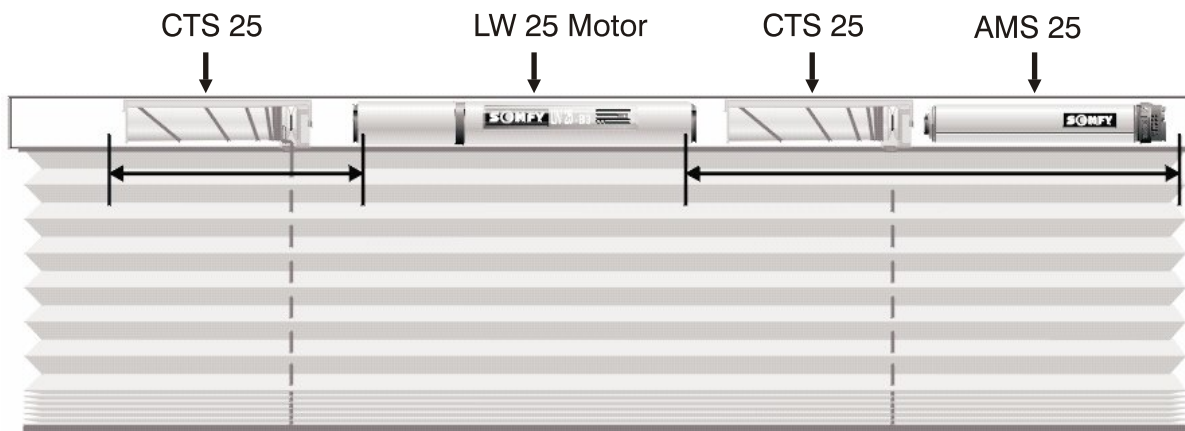


E. Hex Shaft Assembly

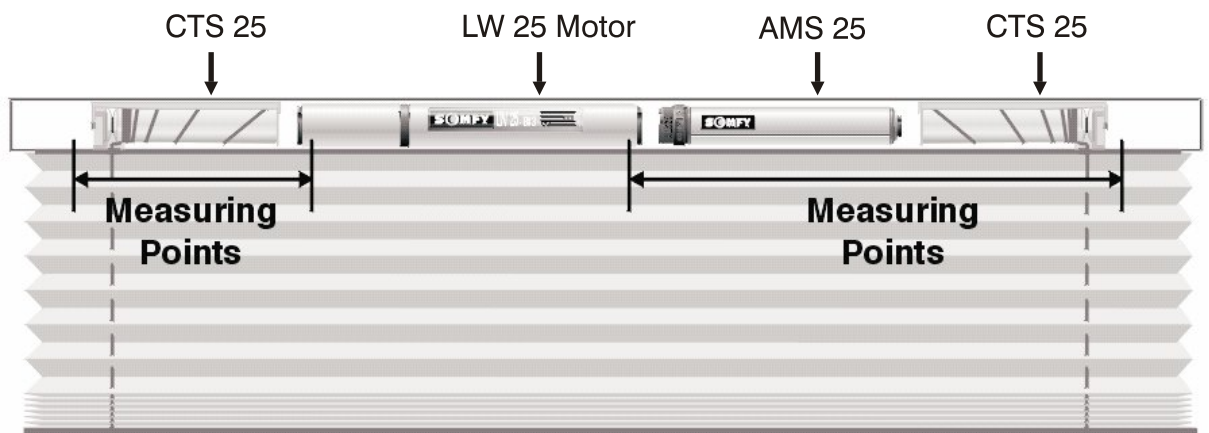
1. Measure approximately and cut the appropriate length of hexagonal shaft.
(see examples below for approximate measuring points).
2. Deburr shaft ends.



Configuration A



Configuration B



Configuration C

E. Hex Shaft Assembly (continued)

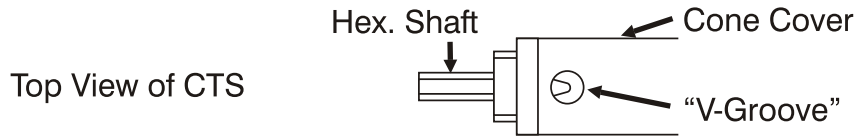
3. LW motors will require two shafts:

Insert shaft #1 through CTS, AMS, Stop Collar Ring, and into motor.

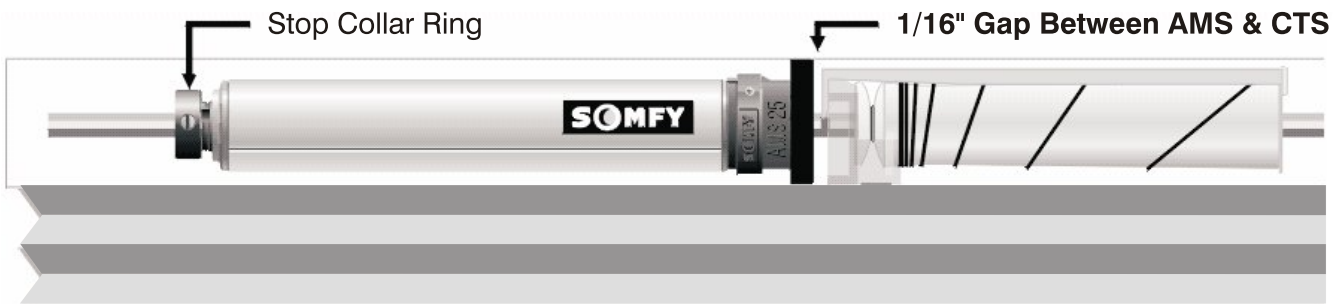
Insert shaft #2 through CTS, Stop Collar Ring, and into motor.

If LV motor is used, insert shaft #1 only.

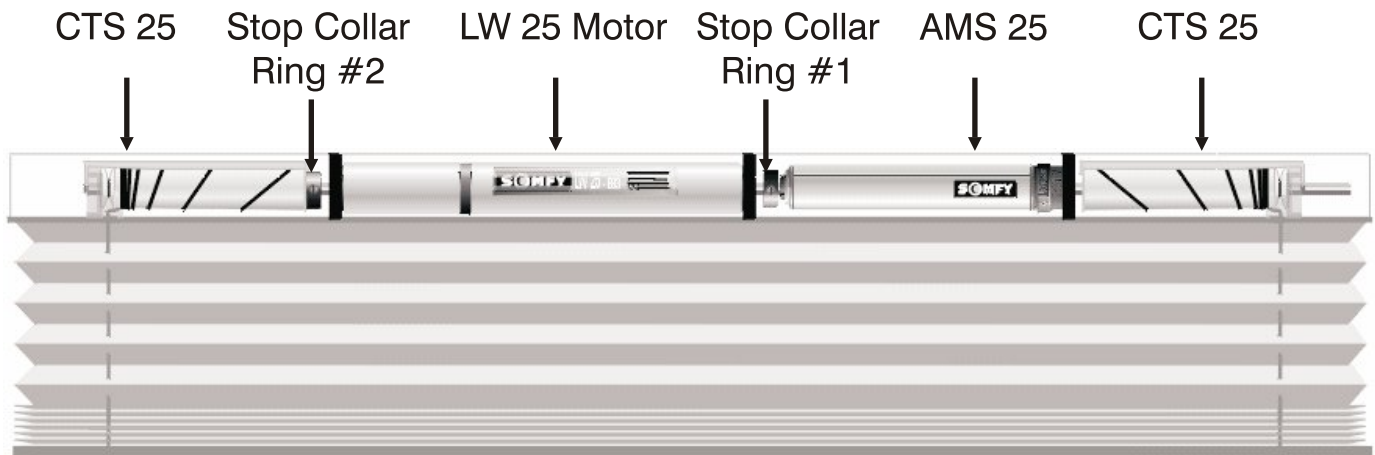
NOTE: Proper alignment of cones MUST be maintained to assure even blind operation. Be certain that "V-Grooves" are visible through cone cover when inserting hexagonal shaft into each CTS. (see figure below)



4. Slide stop collar ring against front of AMS and secure. This will prevent the AMS from "floating" and eliminate loosening of shaft from motor unit.



5. LW motors will require two shafts, therefore slide second stop collar ring to front of CTS and secure. (see figure below)



F. Final Adjustments

1. Apply power to motor and operate in each direction.
2. Adjust take-up cords at bottom bar for levelness (if necessary)
3. Regulate the overall length of shade travel by adjusting the AMS.
(see adjusting the AMS below)

G. Adjusting the AMS

1. Apply power to motor and operate in each direction.
2. To shorten the overall drop length of shade, operate shade to desired stop position, turn the AMS adjuster screw in direction #2 until screw will no longer turn freely.
(Note: 12.5 revolutions of the adjuster screw equals 1 revolution of hexagonal shaft)
3. To increase the overall drop length of shade, simply turn the AMS adjuster screw in direction #1 until desired length is reached.
(Note: Overall shade length is restricted to the length of take-up cords...)



Somfy Systems Inc.
North America Headquarters
47 Commerce Drive
Cranbury NJ 08512

Somfy Florida
6100 Broken Sound Pkwy. N.W.
Suite 14
Boca Raton, FL 33487

Somfy California
15291 Barranca Pkwy
Irvine, CA 92618-2201

Somfy Mexico, S.A. De C.V.
Temazcal 19-B, La Loma
Tlalnepantla, Edo de Mex.
54130, Mexico

SOMFY SYSTEMS, INC. RESERVES THE RIGHT
TO UPDATE, CHANGE OR IMPROVE THIS PRODUCT
WITHOUT FURTHER NOTICE.