

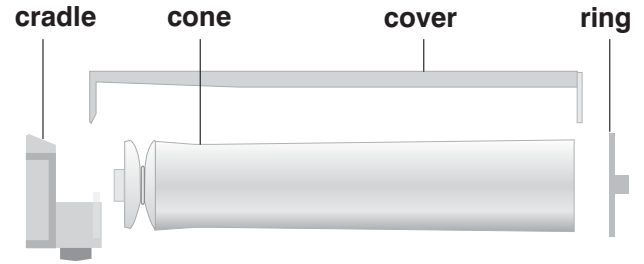


CTS25/Concept 25

Fabrication Instructions 1" Horizontal Products

DESCRIPTION

The new patented Cord Take-Up System (CTS) for window coverings enables lift and tilt functions and prevents cord slippage, tangling and overlap. By using the Cord Take-Up System versus a tape lift system, you achieve increased product reliability, and smoother more uniform operation. What's more, fabricating window coverings with (CTS) is an easier process.

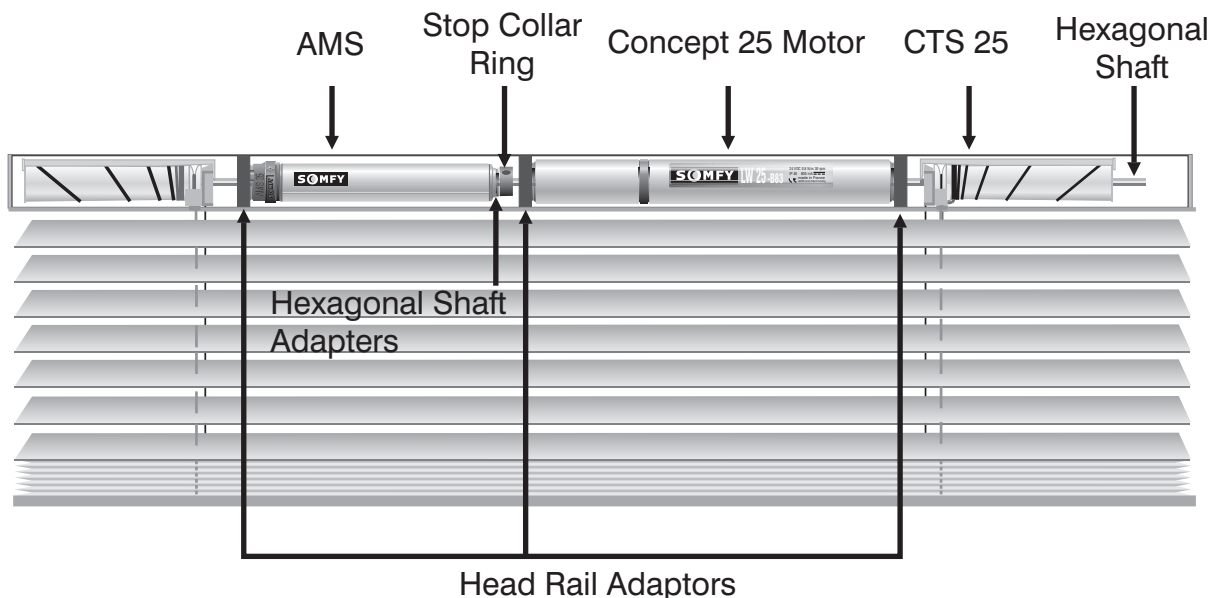


COMPONENTS

- Motor LW or LV Concept 25 (B83/B64)
- AMS (#6050000)
- Headrail adapters (#6050600)
- CTS25 Kit (#6180404)
- 5mm Hexagonal Shaft (#6050406)
- 5mm Hexagonal Shaft Adapters (#6050003)
- Stop Collar Ring for 5mm Shaft (#6050400)

Motorization with Concept 25 is quite simple... Comprised of only 7 primary components, this 24V DC LOW VOLTAGE motorization system can lift and tilt the most 2" horizontal blind products.

SYSTEM CONFIGURATIONS LW & LV



1 INCH HORIZONTAL PRODUCTS

TECHNICAL SPECIFICATIONS

MINIMUM WIDTH OF BLIND				
Motor Type	1 1/2 Inch Route Hole	4 1/4 Inch Route Hole	6 Inch Route Hole	6 3/4 Inch Route Hole
LV Motor				21 1/8"
LW Motor	24 3/4"	24 1/4"	27 3/4"	

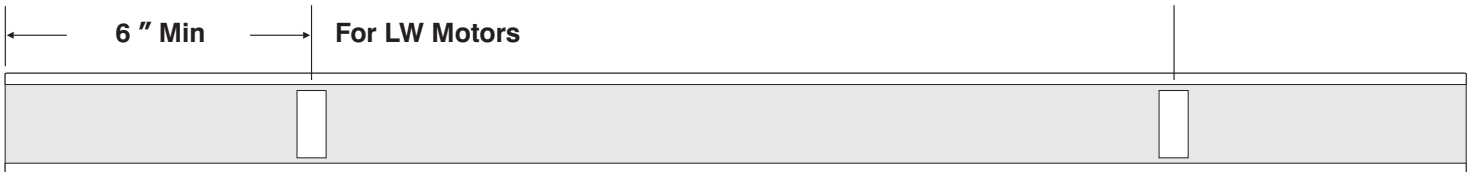
Motor Type	Output Shaft	Maximum area for 25mm Aluminum Blinds Sq. ft.	Maximum height with 1.4 mm cord	Speed (RPM)
LV 25-B44	Single	22 Sq. Ft.	11.5 Ft.	40
LV 25-B64	Single	44 Sq. Ft.	11.5 Ft.	35
LW 25-B44	Double	22 Sq. Ft.	11.5 Ft.	40
LW 25-B83	Double	54 Sq. Ft.	11.5 Ft.	30

Specifications based on motors used with (CTS). They are approximate and may vary depending on product application, fabric etc.

ASSEMBLY INSTRUCTIONS

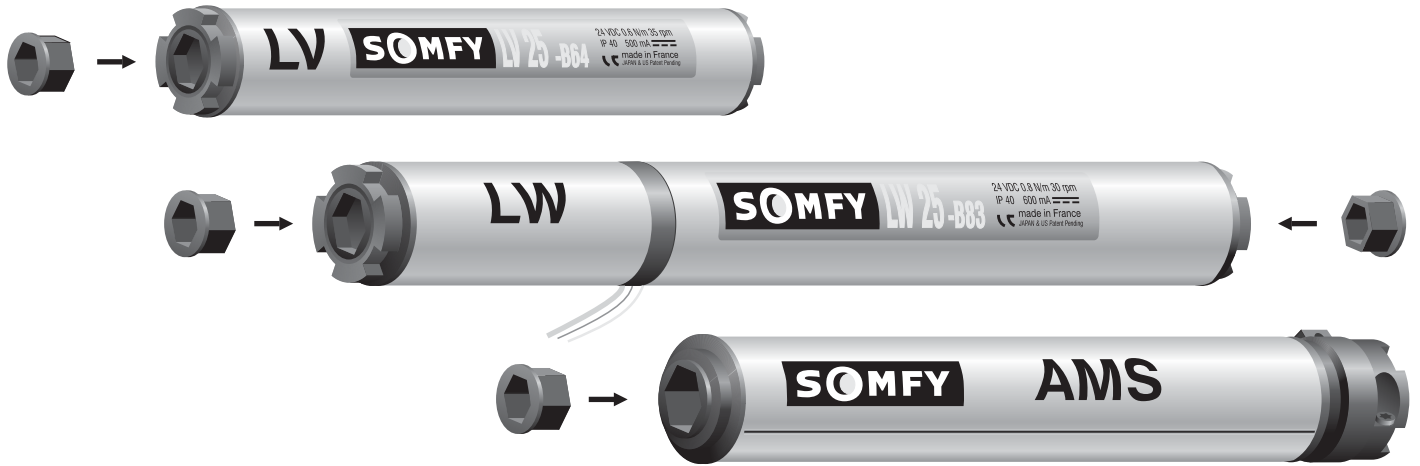
A. Headrail Preparation

1. Cut or specify headrail width that is suitable for shade application.
2. Punch standard cord route holes into headrail. See above chart for route hole positions and shade width minimums.
For retrofit applications, use existing route holes

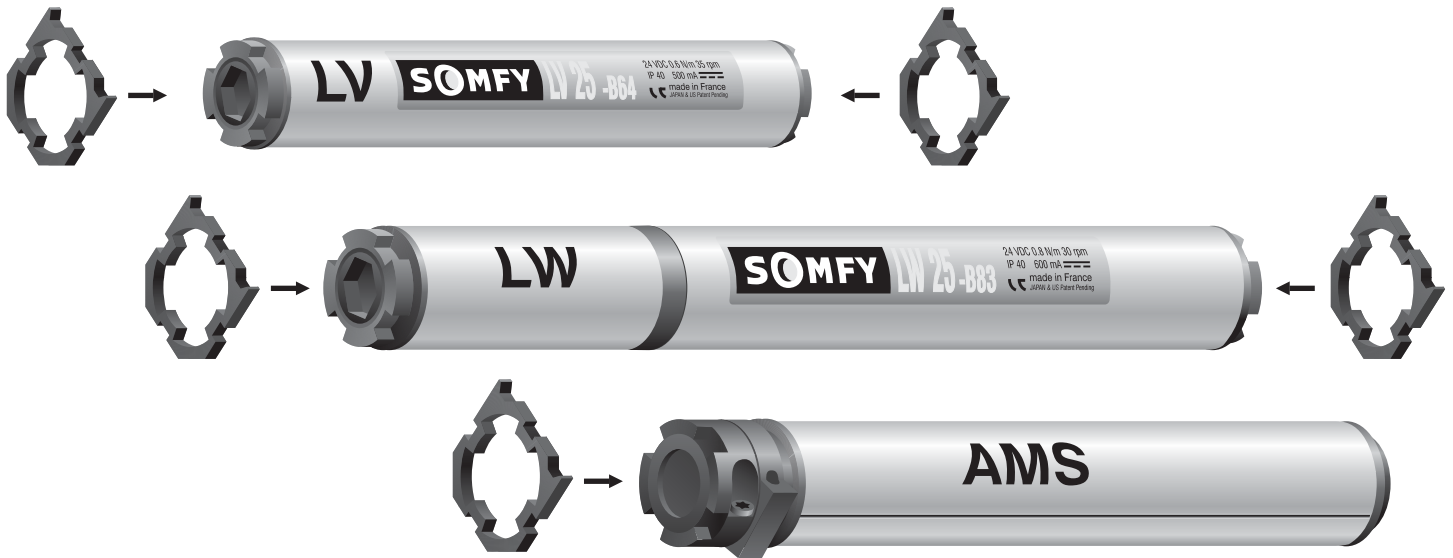


D. Motor and AMS Installation

1. Install shaft adapter(s) into motor and AMS

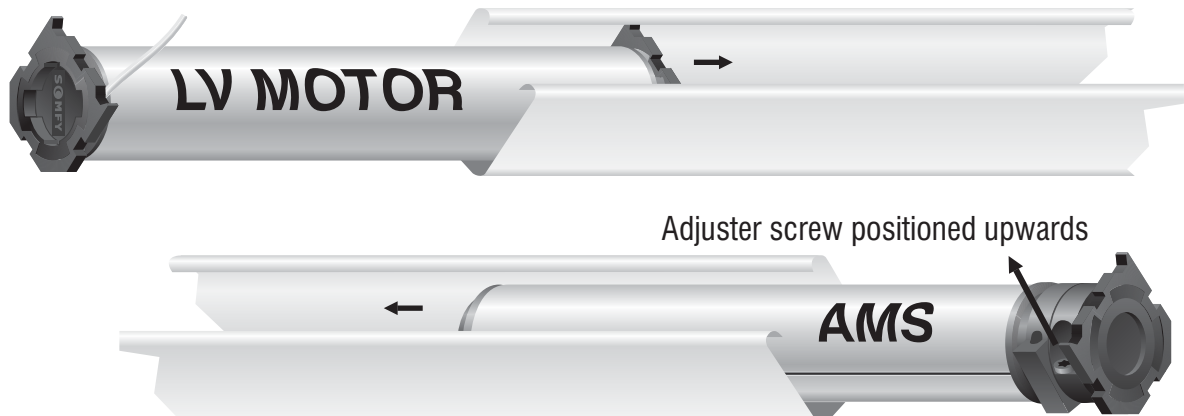


2. Snap headrail adapters onto motor and AMS (Be certain that headrail adapters are positioned in the same orientation.)



3. Slide motor and AMS into headrail. (Be certain that headrail adapters are aligned to match headrail profile.)

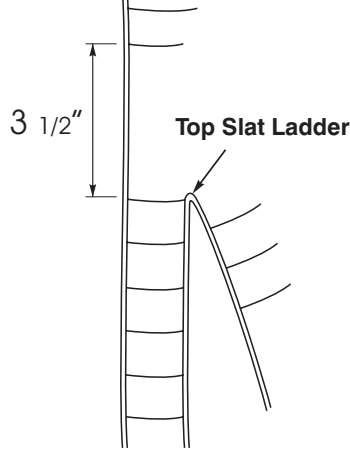
Note: If LV type motor is used, steps 1 thru 3 should be performed following CTS assembly (section D: step 1)



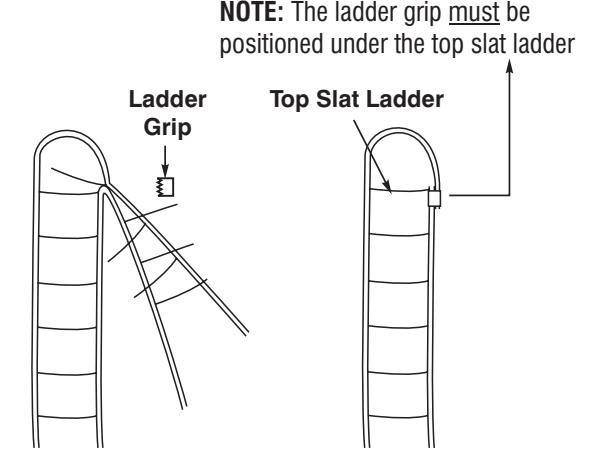
C. Ladder Braid Assembly

1. Cut the ladder braids to measure 3 1/2" from top slat ladder
2. Fasten ladder grip to create a loop (see illustration).

(step 1)

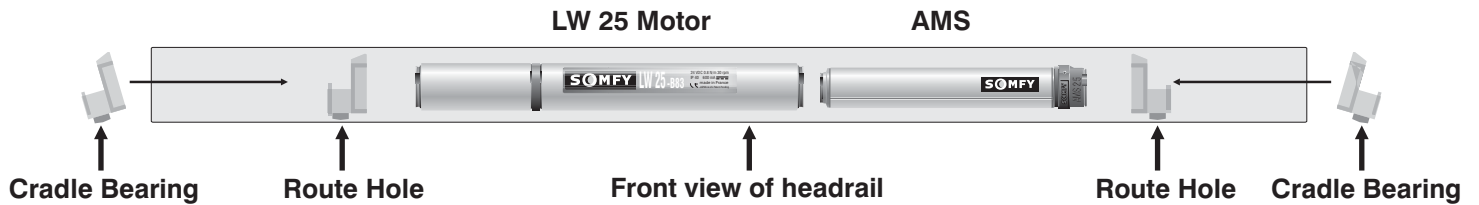


(step 2)

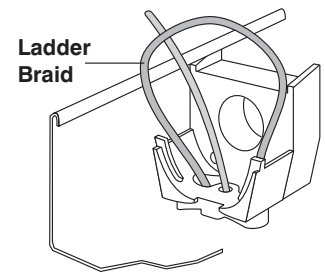
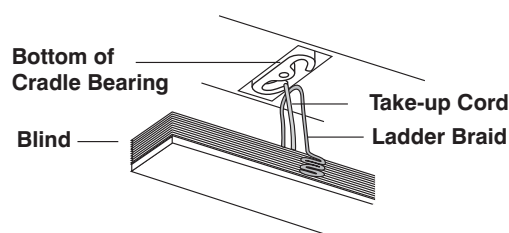
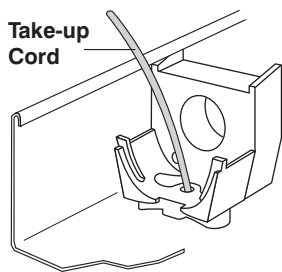


D. CTS Assembly

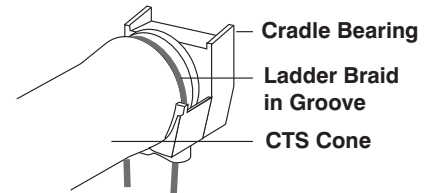
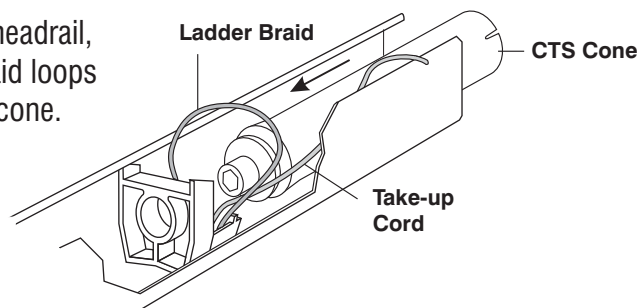
1. Insert cradle bearings into headrail and align at pre-punched route holes. Ensure that cradles are seated correctly into route holes of headrail.



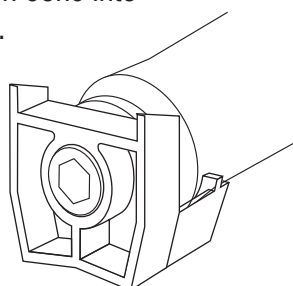
2. Feed the take-up cords through the hole of the cradle bearings, then feed ladder braids through the cradle bearing. (Note: 1.4mm round braided polyester type cord is recommended.)



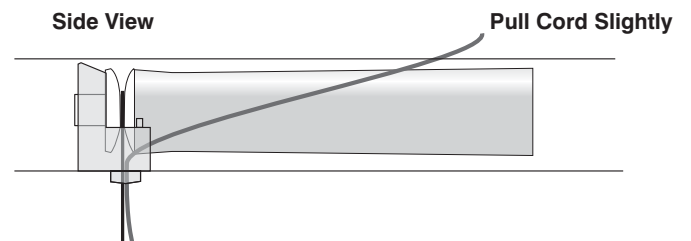
3. Slide each CTS cone into headrail, making sure the ladder braid loops rest in the groove of each cone.



4. Insert tip of each cone into cradle bearings.



5. Lightly pull on each take-up cord to be certain they are not restricted.



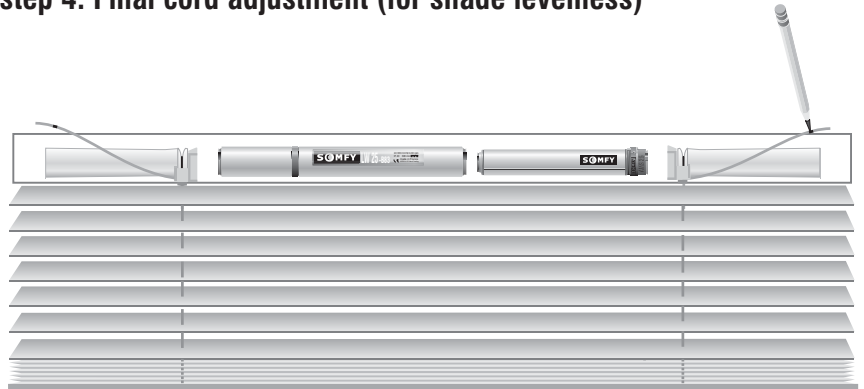
E. Securing Take-up Cords

1. Align the grooves at the end of each cone.

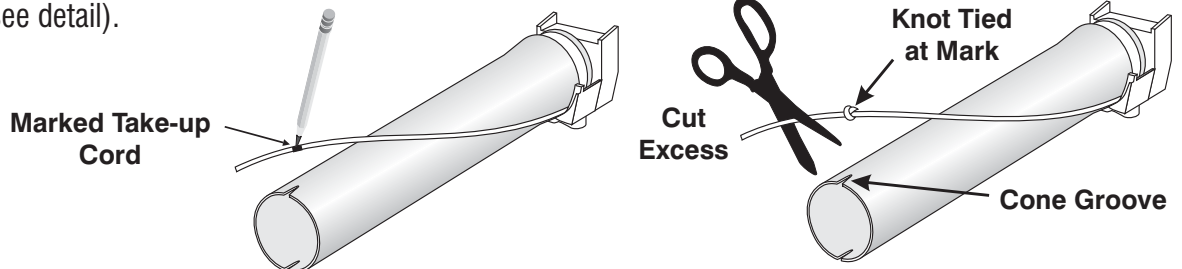


Note: Steps 2 and 3 may be eliminated if take-up cords are initially cut/measured to same lengths. Simply tie knots in each cord, and proceed to step 4. Final cord adjustment (for shade levelness) may be completed at bottom rail of blind.

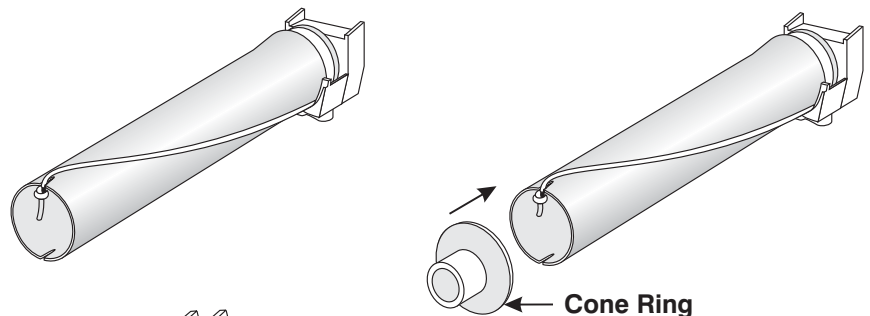
2. Temporarily hang the blind and extend to a "lowered position." (be certain take-up cords remain accessible.)



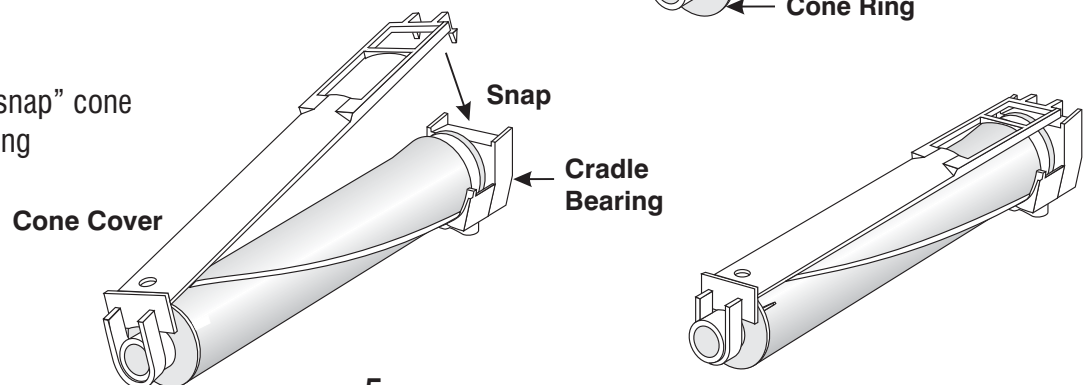
3. With blind hanging in a "lowered position" carefully mark each take-up cord with regard to each aligned "V-groove" and tie knot. (see detail).



4. Insert take-up cord knot into groove of cone and fasten cone ring as shown.

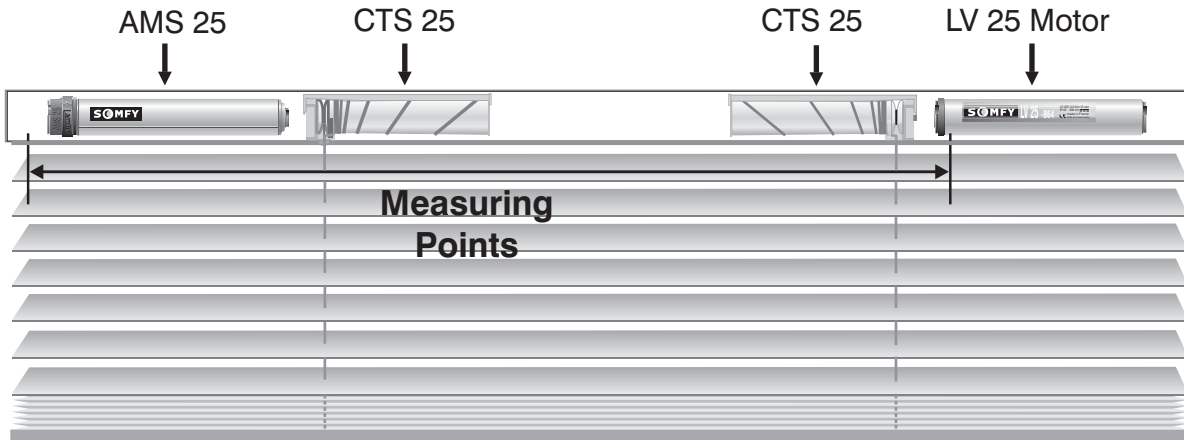


5. Attach cone ring and "snap" cone cover onto cradle bearing

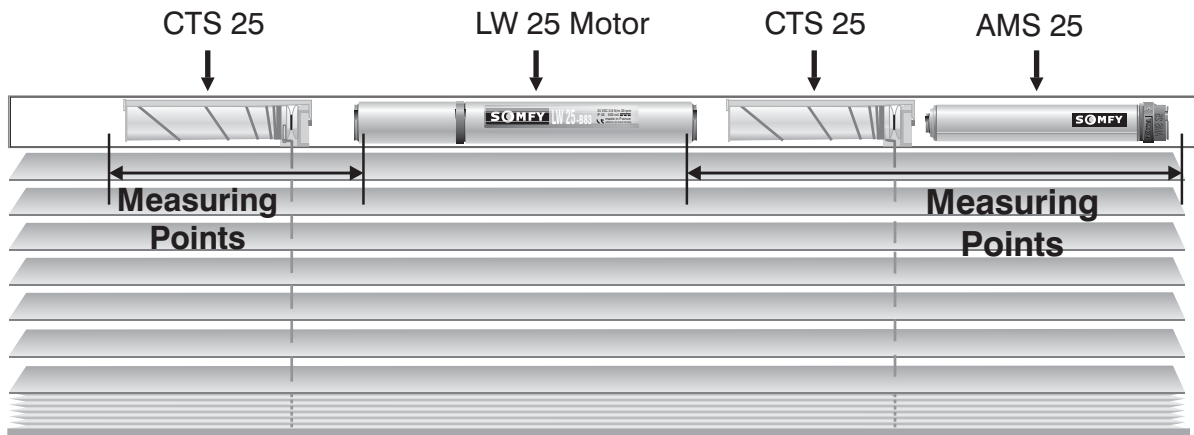


F. Hex Shaft Assembly

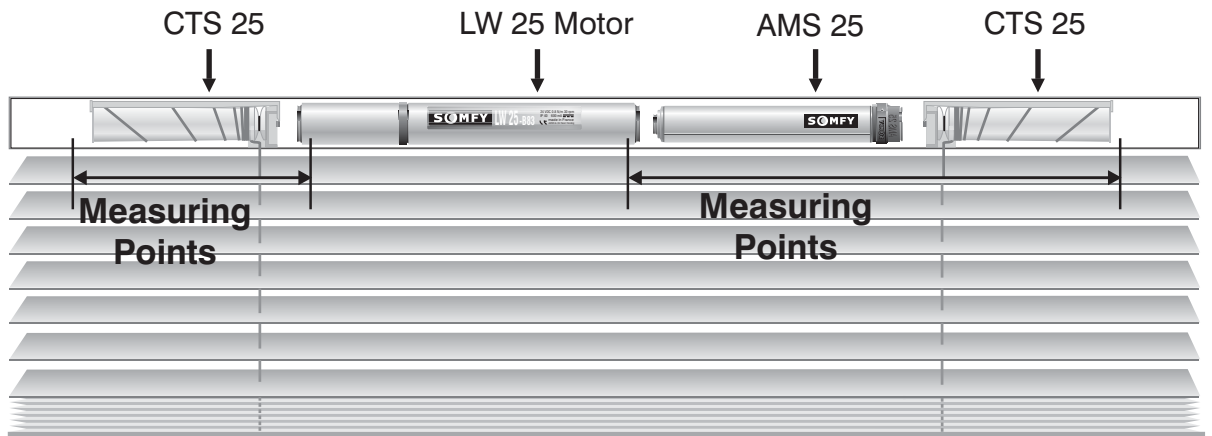
1. Measure approximately and cut the appropriate length of hexagonal shaft.
(see examples below for approximate measuring points).
2. Deburr shaft ends.



Configuration A



Configuration B



Configuration C

F. Hex Shaft Assembly (continued)

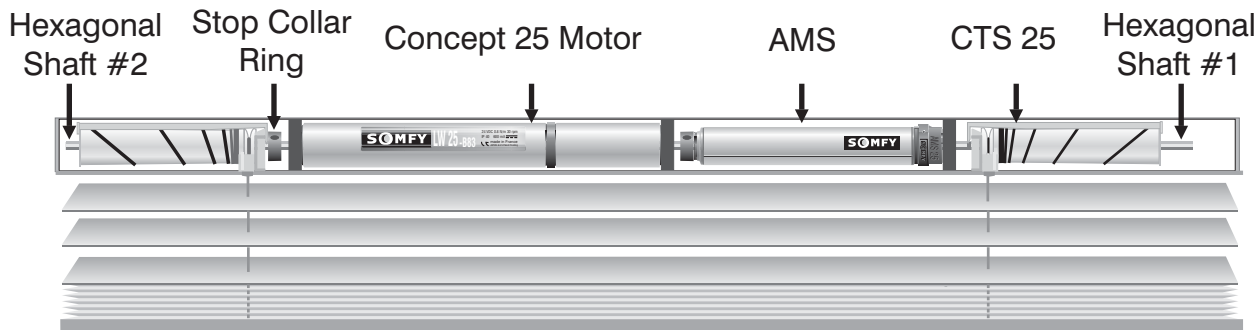
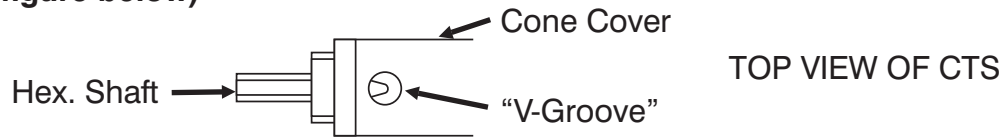
3. LW motors will require two shafts:

Insert shaft #1 through CTS, AMS, Stop Collar Ring, and into motor.

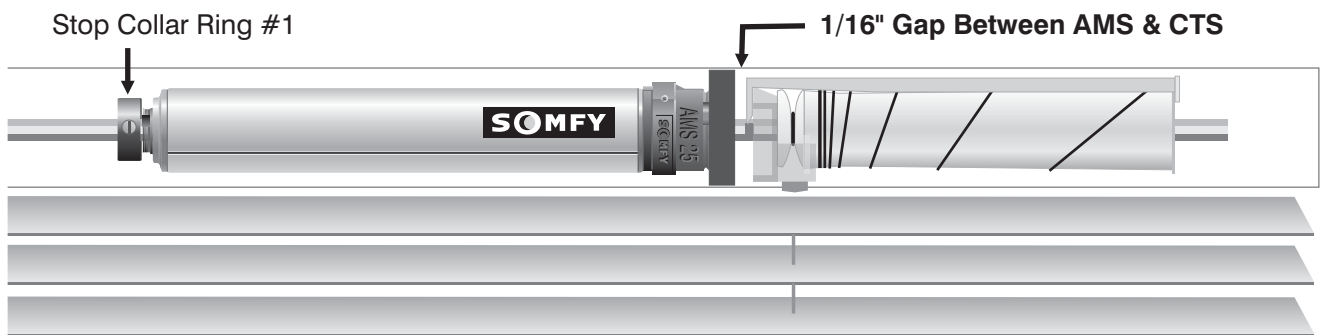
Insert shaft #2 through CTS, Stop Collar Ring, and into motor.

(If LV motor is used, insert shaft #1 only).

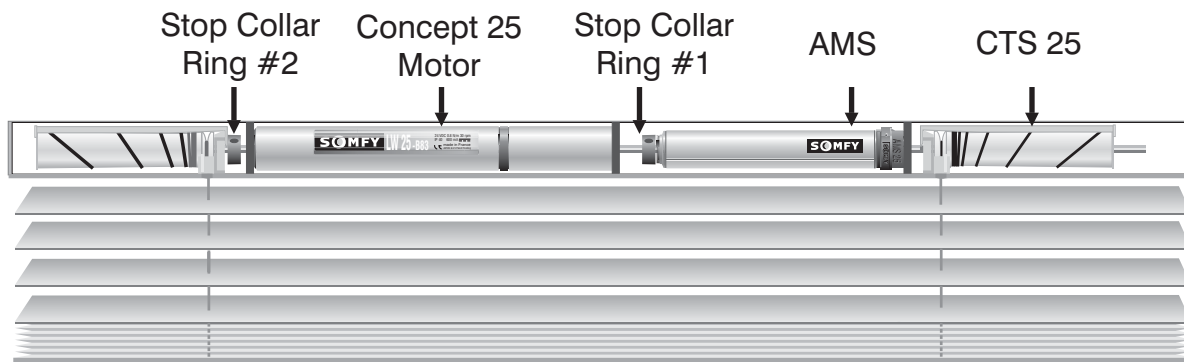
NOTE: Proper alignment of cones MUST be maintained to assure even blind operation. Be certain that "V-Grooves" are visible through cone cover when inserting hexagonal shaft into each CTS. (see figure below)



4. Slide AMS against nearest CTS. Position Stop Collar Ring #1 against front of AMS and secure. This will prevent the AMS from sliding and eliminate loosening of shaft from motor unit.



5. Slide stop collar ring #2 to front of CTS and secure.



G. Final Adjustments

1. Apply power to motor and operate in each direction.
2. Adjust take-up cords at bottom bar for levelness (if necessary)
3. Regulate the overall length of blind travel by adjusting the AMS.
(see adjusting the AMS below)

H. Adjusting the AMS

1. Apply power to motor and operate in each direction.
2. To shorten the overall drop length of blind, operate blind to desired stop position, turn the AMS adjuster screw in direction #2 until screw will no longer turn freely.
(Note: 12.5 revolutions of the adjuster screw equals 1 revolution of hexagonal shaft)
3. To increase the overall drop length of blind, simply turn the AMS adjuster screw in direction #1 until desired length is reached.
(Note: Overall blind length is restricted to the length of take-up cords...)



SOMFY MEXICO, S.A. De C.V.

Calle 3 No. 47, Loc. E-5
Fracc Ind. Alce Blanco
Nau., Edo. de Mex
C.P. 53370

SOMFY SYSTEMS, INC.

1-800-437-6639
47 Commerce Drive
Cranbury, NJ 08512

SOMFY CANADA

6315 Shawson Drive, Unit #1
Mississauga, Ontario L5T1J2

SOMFY SYSTEMS, INC. reserves the right to update, change or improve this product without further notice.