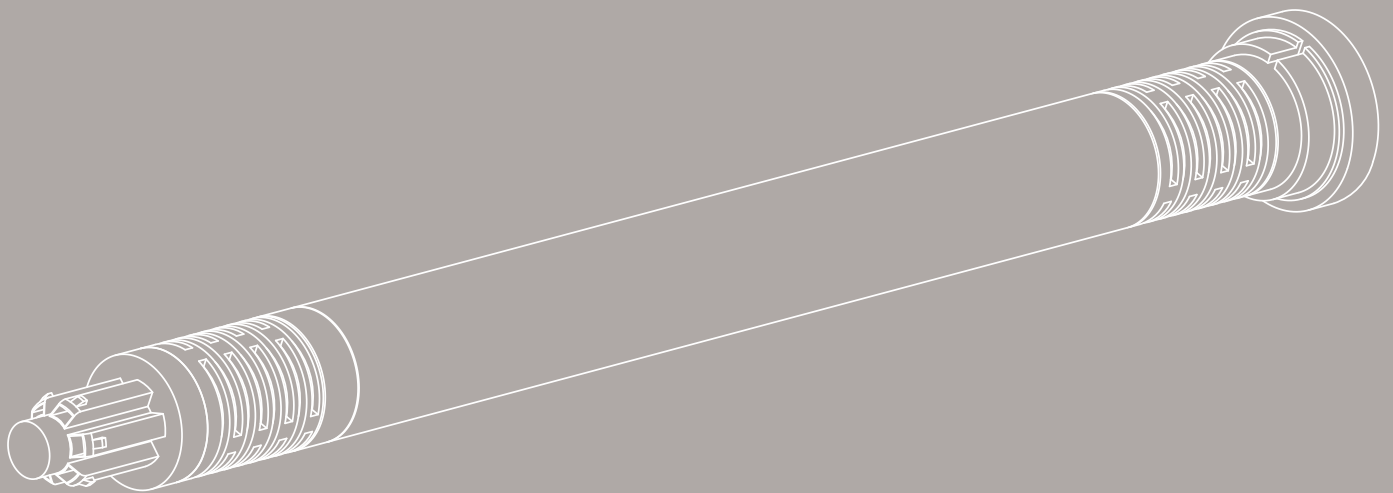


DATABOOK

Sonesse™ 30 Range



HOME
MOTION BY

somfy®

Sonesse™ 30

This document is a presentation of the accessories and specifications relating to the Somfy Sonesse™ 30 range. It provides the technical information needed to order, fabricate, and sell the award winning quiet motor solution.

TABLE OF CONTENTS:

MECHANICAL ACCESSORIES & LIGHT GAP SPECIFICATIONS

Acmeda System	3-4
Somfy Decorator Type	5-6
RollEase®	7-8
Louvolite	9
Somfy CTS 40	10

CONTROL ACCESSORIES

Radio Technology Somfy®	11-12
-----------------------------------	-------

POWER & WIRING ACCESSORIES

Transformers	13
Power Panel	14
Motor Specifications	14

Conveniently Quiet

The award winning Sonesse™ 30 range is putting window coverings in motion with ultra-quiet precision. The motors are engineered with superior noise reduction technology and from a distance of 3 feet, are barely heard.

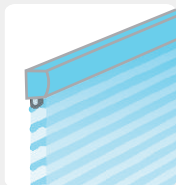
The compact, low profile Sonesse™ 30 motor is designed for tubes as small as 1.5" in diameter and is easily concealed within headrails, cassette systems or smaller pocket sizes. The motors are available with built-in Radio Technology Somfy® and also feature speed regulation for precise alignment of adjacent shades.

Sonesse™ 30 motors are designed to automate a broad range of window covering applications which include:

Solar / Roller Shades



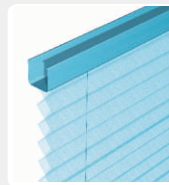
Sheer Horizontal Shades



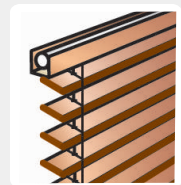
Roman/Woven Shades



Pleated/Cellular Shades



Horizontal Blinds



A variety of control options are available including Radio Technology Somfy® (RTS), which allows for control of individual window coverings or groups of window coverings from the same transmitter. The Sonesse™ 30 motors are easily integrated with home automation systems and feature the ability to adjust to precise intermediate positions for increased control flexibility.



As with all Somfy products, the Sonesse™ 30 motors are backed by a 5 year warranty.

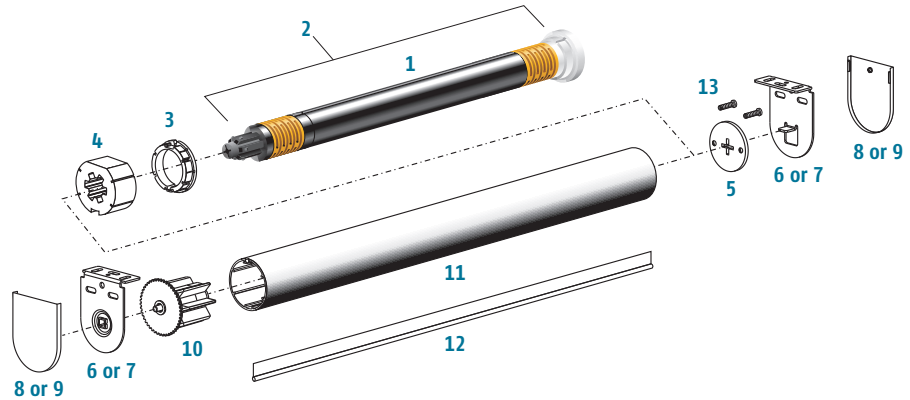


The Sonesse™ motor range is a proud recipient of the 2006 WCMA Award, Most Innovative Overall design.

Sonesse™ 30 Mechanical Accessories

ACMEDA SYSTEM

Standard Bracket Components



Light Gap Specifications Standard Brackets—Minimum

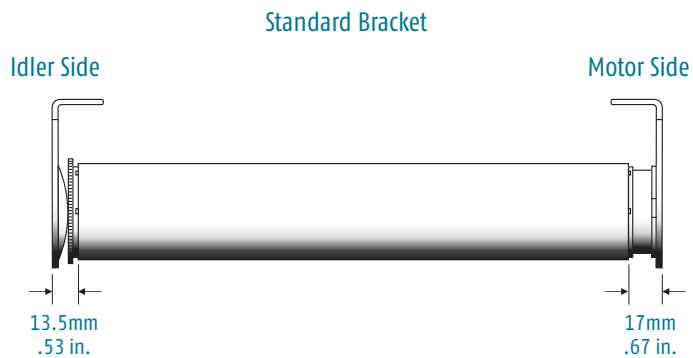


IMAGE	DESCRIPTION	CATALOG NUMBER
1	MOTOR (SONESSE™ 30 RTS)	1000460
2	SONESSE™ 30 TO LS40 ADAPTER KIT	9013776
3	CROWN ADAPTER 44MM TUBE (ACMEDA TYPE)	9013791
4	DRIVE WHEEL 44MM (ACMEDA TYPE)	9013790
5	MOTOR BRACKET ADAPTER PLATE (ACMEDA TYPE) WITH SCREWS	9013789
6	MOTOR & IDLER BRACKET KIT 40P (ACMEDA TYPE)	9013778
7	MOTOR & IDLER BRACKET KIT 44P (ACMEDA TYPE)	9013779
8	PLASTIC BRACKET COVER 40P KIT (ACMEDA TYPE)	9013780
9	PLASTIC BRACKET COVER 44P KIT (ACMEDA TYPE)	9013781
10	IDLER END PLUG 44MM TUBE (ACMEDA TYPE)	9013774
11	44M ALUMINUM TUBE (1.6 FT. MAX LENGTH)	1780688
12	TUBE SPLINE 44MM TUBE (ACMEDA TYPE)	1780687
13	SCREWS M 4 x 8MM	9014067

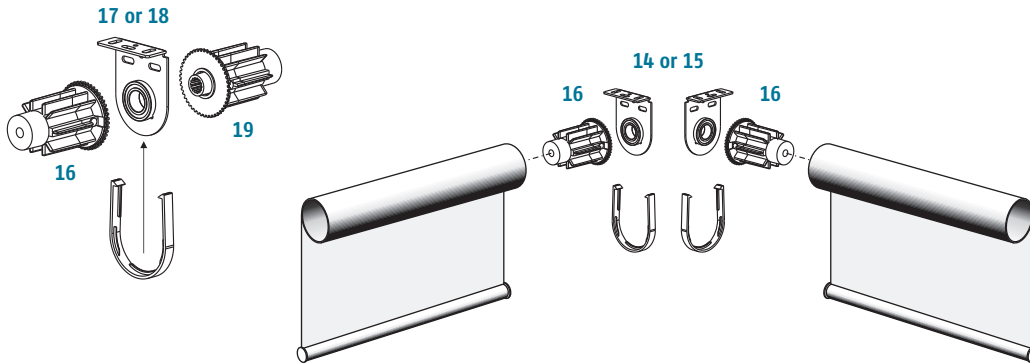
Solar / Roller Shades



Roman/Woven Shades



Intermediate Bracket Components



Light Gap Specifications Intermediate Brackets—Minimum

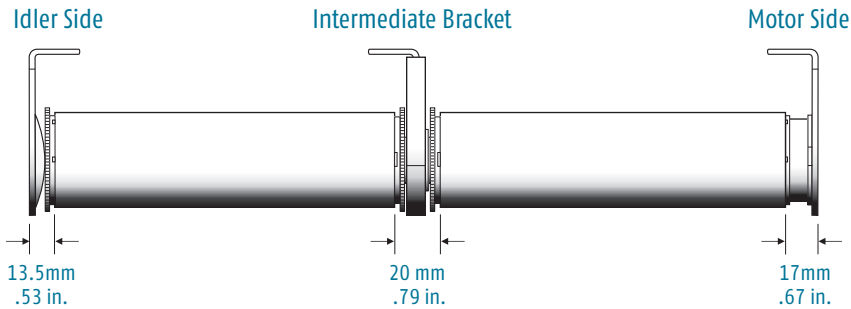


IMAGE	DESCRIPTION	CATALOG NUMBER
14	INTERMEDIATE BRACKET & COVER KIT 40P, 0-90 DEGREES (ACMEDA TYPE)	9013787
15	INTERMEDIATE BRACKET & COVER KIT 44P, 0-90 DEGREES (ACMEDA TYPE)	9013788
16	INTERMEDIATE MALE IDLER END PLUG (ACMEDA TYPE)	9013786
17	INTERMEDIATE BRACKET & COVER KIT 40P (ACMEDA TYPE)	9013783
18	INTERMEDIATE BRACKET & COVER KIT 44P (ACMEDA TYPE)	9013784
19	INTERMEDIATE FEMALE IDLER END PLUG (ACMEDA TYPE)	9013785

Solar / Roller Shades



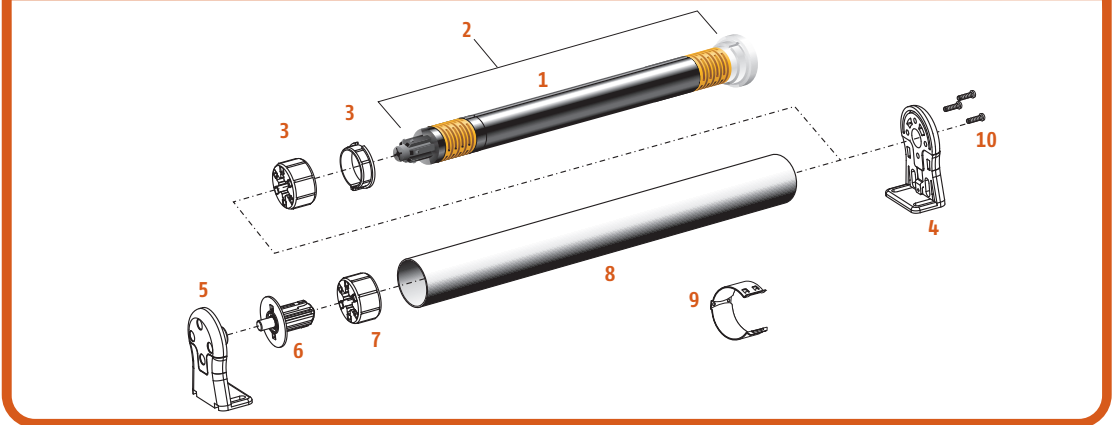
Roman/Woven Shades



Sonesse™ 30 Mechanical Accessories

SOMFY DECORATOR TYPE

Standard Bracket Components



Light Gap Specifications Standard Brackets—Minimum



IMAGE	DESCRIPTION	CATALOG NUMBER
1	MOTOR (SONESSE™ 30 RTS)	1000460
2	SONESSE 30 TO LS40 ADAPTER KIT	9013776
3	CROWN AND DRIVE (SOMFY 40MMX 1.5MM ROUND TUBE)	9012224
4	MOTOR BRACKET (DECORATOR TYPE) WITH SCREWS	9013758
5	IDLER END BRACKET (DECORATOR TYPE)	9500685
6	IDLER END PLUG (DECORATOR TYPE)	9500688
7	40MM ROUND DRIVE (FOR USE WITH IDLER END PLUG)	9147544
8	SOMFY 40MM ROUND TUBE (20FT. MAX LENGTH)	1781153
9	CORD CLIPS FOR ROMAN SHADE APPLICATIONS	9012200
10	M3.5x9MM SCREWS	9014066

Solar / Roller Shades

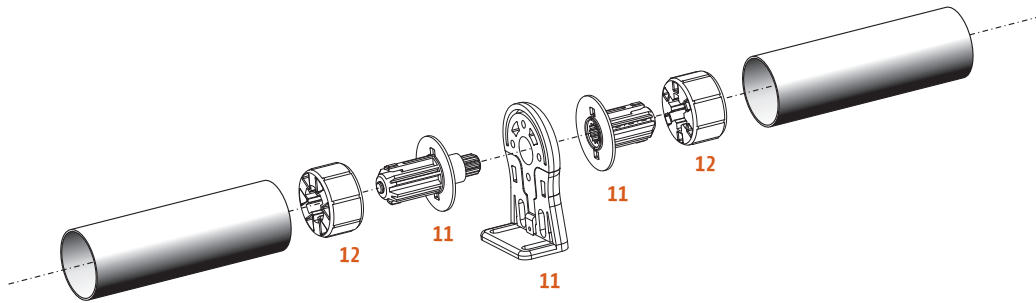


Roman/Woven Shades



SOMFY DECORATOR TYPE

Intermediate Bracket Specifications



Light Gap Specifications Intermediate Brackets-Minimum

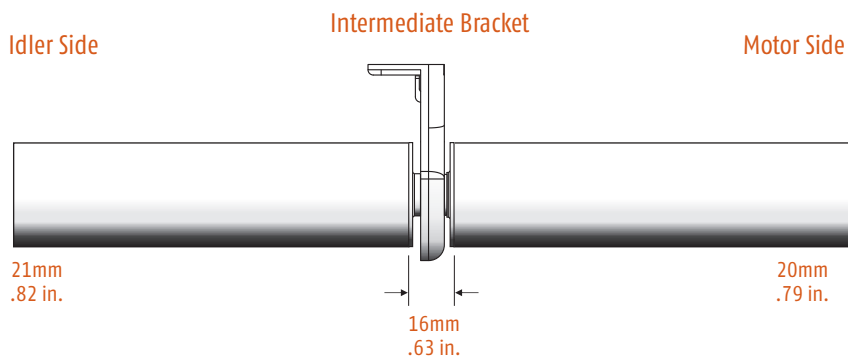
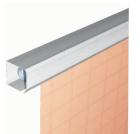


IMAGE	DESCRIPTION	CATALOG NUMBER
11	INTERMEDIATE BRACKET KIT (DECORATOR TYPE)	9500687
12	40MM ROUND DRIVE (FOR USE WITH INT. BRACKET)	9147544

Solar / Roller Shades



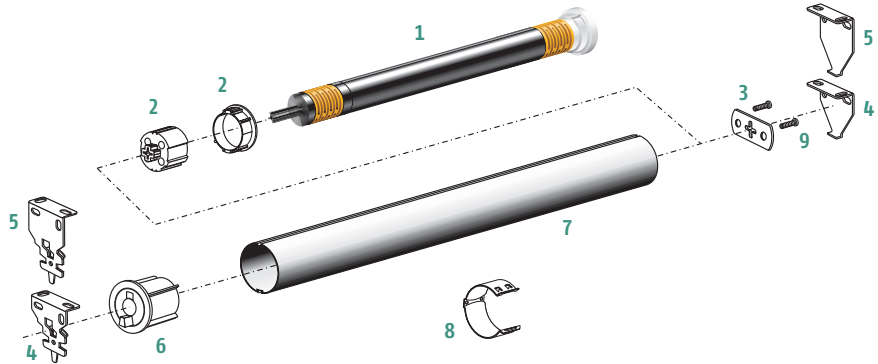
Roman/Woven Shades



Sonesse™ 30 Mechanical Accessories

ROLLEASE®

Standard Bracket Components



Light Gap Specifications-Minimum



Solar / Roller Shades



Roman/Woven Shades

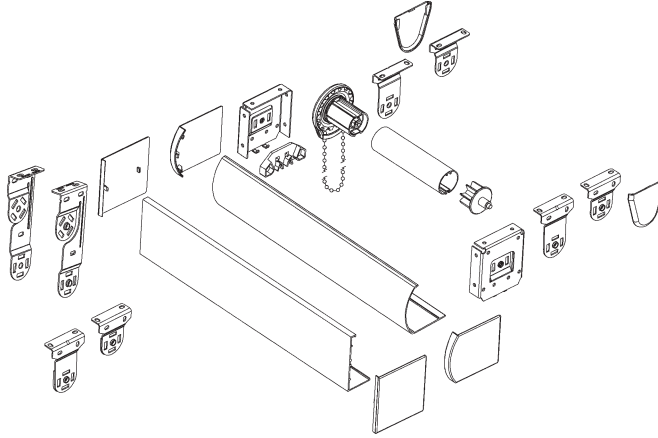


Sheer Horizontal Shades

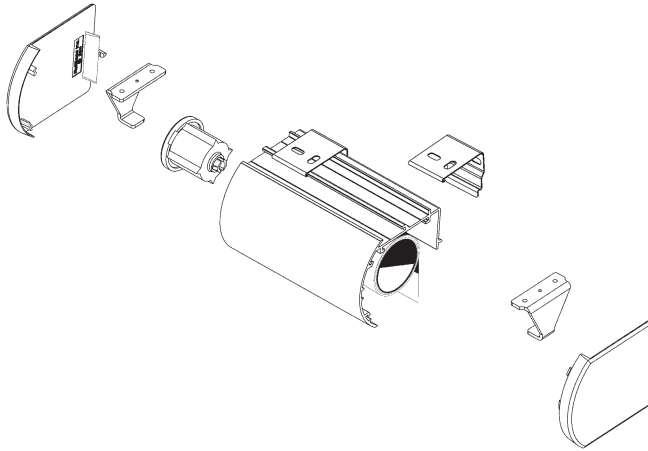


IMAGE	DESCRIPTION	CATALOG NUMBER
1	MOTOR (SONESSE™ 30 RTS)	1000460
2	CROWN AND DRIVE FOR ROLLEASE® 1.5" TUBE	9013775
3	MOTOR ADAPTER FOR ROLLEASE R8 BRACKET WITH SCREWS	9014073
4	ROLLEASE® R8 SERIES BRACKETS 1.5"	CONTACT ROLLEASE
5	ROLLEASE® R8 SERIES BRACKETS 2"	CONTACT ROLLEASE
6	ROLLEASE® 1.5" IDLER END PLUG	CONTACT ROLLEASE
7	ROLLEASE® 1.5" TUBE	CONTACT ROLLEASE
8	CORD CLIPS FOR ROMAN SHADE APPLICATIONS	9012200
9	M4x8MM SCREWS	9014067

Skyline™ Bracket and Fascia Accessories



M80/M120 Cassette Accessories



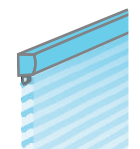
Solar / Roller Shades



Roman/Woven Shades



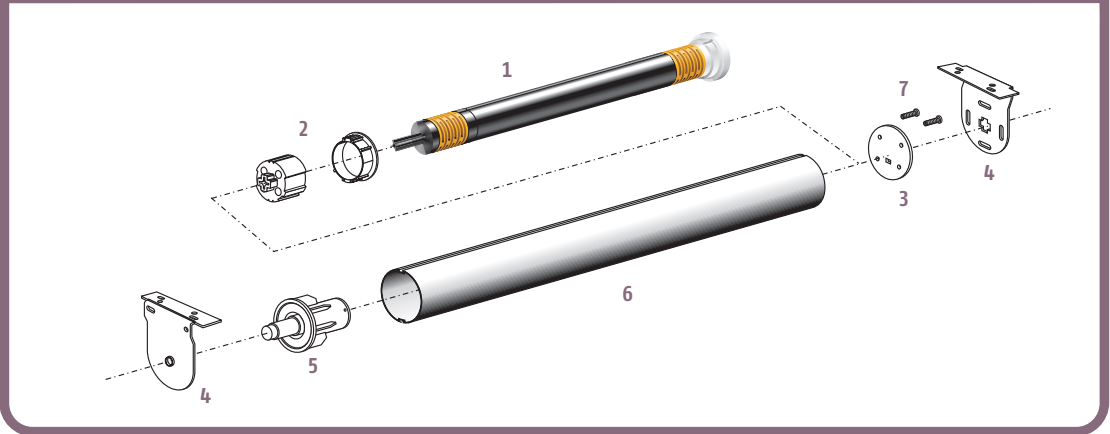
Sheer Horizontal Shades



Sonesse™ 30 Mechanical Accessories

LOUVOLITE

Standard Bracket Components



Light Gap Specifications-Minimum

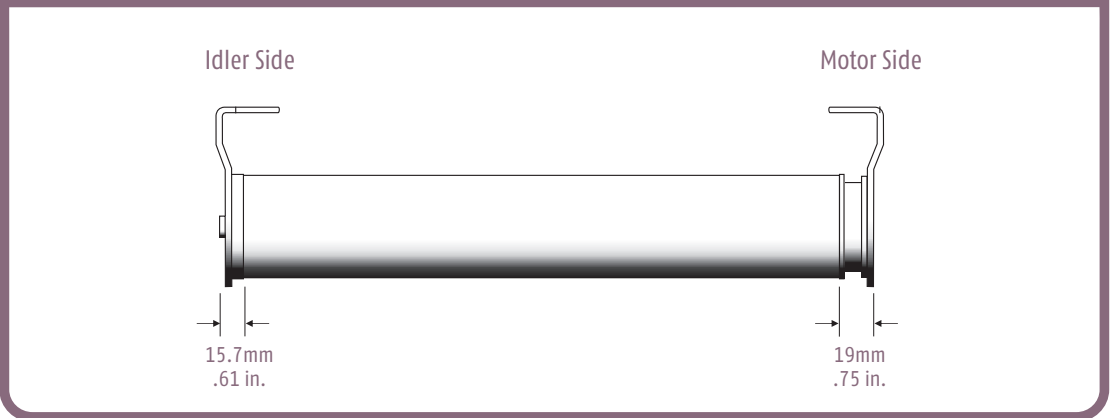


IMAGE	DESCRIPTION	CATALOG NUMBER
1	MOTOR (SONESSE™ 30 RTS)	1000460
2	CROWN AND DRIVE (LOUVOLITE 40MM TUBE)	9013775
3	MOTOR BRACKET ADAPTER PLATE WITH SCREWS	9014072
4	MOTOR & IDLER BRACKET KIT (LOUVOLITE SYSTEM 40)	9013715
5	COLLAPSIBLE END PLUG (LOUVOLITE SYSTEM 40)	9013716
6	LOUVOLITE 40MM TUBE	CONTACT LOUVOLITE
7	SCREWS M3.5X9MM	9014066
2,3&7	CROWN AND DRIVE, MOTOR BRACKET ADAPTER PLATE WITH SCREWS	9014045

Solar / Roller Shades



Roman/Woven Shades



SOMFY CTS 40

Standard Bracket Components

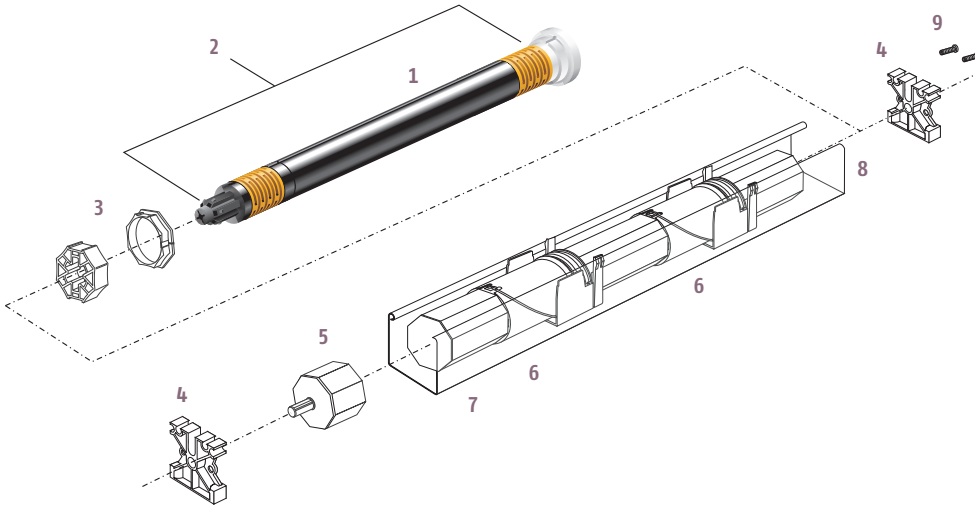
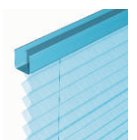


IMAGE	DESCRIPTION	CATALOG NUMBER
1	MOTOR (SONESSE™ 30 RTS)	1000460
2	SONESSE™ 30 TO LS40 ADAPTER	9013776
3	CROWN AND DRIVE KIT 40MM OCTAGAONAL TUBE	9012225
4	MOTOR / IDLER BRACKET (FOR 57X51MM HEADRAIL)	9500736
5	IDLER END PLUG FOR 40MM OCTAGONAL TUBE	9012274
6	CTS 40 (FOR 57X41MM HEADRAIL)	1781118
7	SOMFY 40MM OCTAGONAL TUBE (20FT. MAX LENGTH)	1781154
8	57X51MM (2" X 2 1/4") GUTTER RAIL OR SIMILAR	CONTACT MANUFACTURER
9	M4X8MM SCREWS	9014067

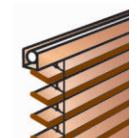
Roman/Woven Shades



Pleated/Cellular Shades



Horizontal Wood Blinds



Sonesse™ 30 Control Accessories

RADIO TECHNOLOGY SOMFY®

TELIS COLLECTION



Telis 1 RTS Lounge
Single Channel
Remote
1810650



Telis 4 RTS Lounge
Five Channel
Remote
1810652



Telis 1 RTS Silver
Single Channel
Remote
1810639



Telis 4 RTS Silver
Five Channel
Remote
1810641



Telis 1 RTS Pure
Single Channel
Remote
1810632



Telis 4 RTS Pure
Five Channel
Remote
1810633



Telis 1 RTS Patio
Single Channel
Remote
1810643



Telis 4 RTS Patio
Five Channel
Remote
1810645

DECORA



Decora 1 RTS
Wireless Wall
Switch
1810597



Decora 4 RTS
Wireless Wall
Switch
1810595



Decora 1 RTS
Wireless Wall
Switch
1810598



Decora 4 RTS
Wireless Wall
Switch
1810599



Telis Composio RTS
Silver
20 Channel Remote
1810698



Telis Composio RTS
Lounge
20 Channel Remote
1810699



Telis Impresario RTS
Silver
Multi-Channel Timer
1810701



Telis Impresario RTS
Lounge
Multi-Channel Timer
1810700



Telis Modulis RTS
Silver
5 Channel Remote
with Scroll Wheel
1810663



*Telis Modulis RTS
Lounge
5 Channel Remote
with Scroll Wheel
1810664



Multi-Link Universal RTS
Interface 5-Channel
(Converts IR, RS232, Dry
Contact to RTS)
1810506



Multi-Link RS232 to RTS
Interface 16-Channel
(Converts RS232/X-10 to RTS)
1810686

CHRONIS



Chronis
Single Channel
Timer
1805040



Chronis Comfort
Single Channel
Timer
1805176



Chronis Light
Single Channel
Timer
1805056

Sonesse™ 30 Power Accessories

TRANSFORMERS

PLUG-IN



Plug-In Wall Type

1 Motor	24 VDC 1.66A	1822209
---------	--------------	---------



Plug-In Floor Type

1 Motor	24 VDC 2.5A	1822116
---------	-------------	---------



Plug-In Table/Shelf Type

3 Motors	24 VDC 5A	1822118
----------	-----------	---------

6 Motors	24 VDC 10A	1822119
----------	------------	---------

9 Motors	24 VDC 15A	1822122
----------	------------	---------

12 Motors	24 VDC 20A	1822123
-----------	------------	---------

WIRED



Din Rail Mount

3 Motors	24 VDC 5A	9011994
----------	-----------	---------



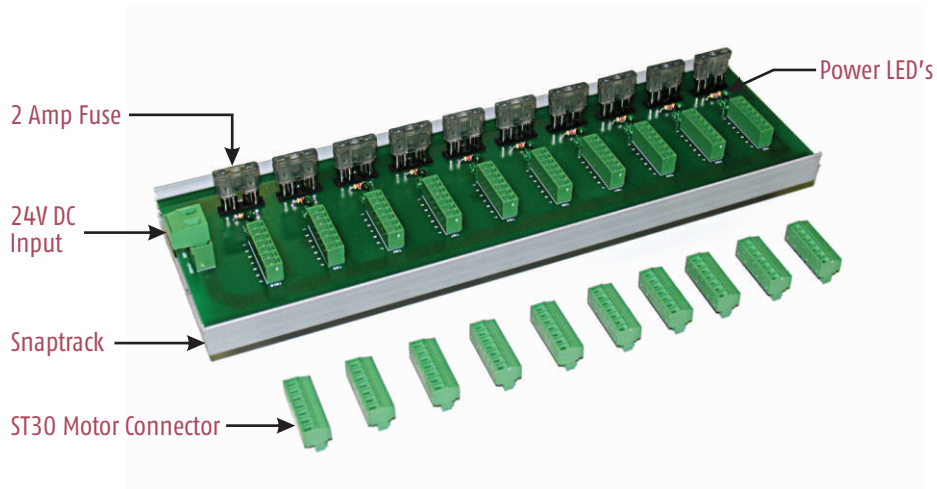
Din Rail Mount

6 Motors	24 VDC 10A	9011995
----------	------------	---------



Din Rail Mount

12 Motors	24 VDC 20A	9014245
-----------	------------	---------



POWER PANEL

SONESSE™ 30



VOLTAGE	24VDC
TORQUE	2Nm
SPEED (RPM)	28 (+/- 3%)
MIN TUBE INSIDE DIAMETER	1.2 IN. (31MM)
MAX CURRENT DRAW	1.8A
NORMAL TORQUE CURRENT DRAW	.8A
MOTOR WEIGHT (SHIPPING)	1.43LBS. (.65KG)
NOISE	44 dBA

MOTOR SPECIFICATIONS

**SOMFY SYSTEMS, INC.
NORTH AMERICA HEADQUARTERS**

47 COMMERCE DRIVE
CRANBURY NJ 08512
(P) 800 222 SOMFY
(P) 609 395 1300
(F) 609 395 1776

SOMFY FLORIDA

6100 BROKEN SOUND PKWY
NORTHWEST SUITE 14
BOCA RATON, FL 33487
(P) 877 227 6639
(P) 561 995 0335
(F) 561 995 7502

SOMFY CALIFORNIA

15291 BARRANCA PKWY
IRVINE, CA 92618
(P) 877 727 6639
(F) 949 727 3775

SOMFY CANADA

6315 SHAWSON DRIVE UNIT 1
MISSISSAUGA, ONTARIO L5T1J2
(P) 800 667 6639
(P) 905 564 6446
(F) 905 564 2679

SOMFY MEXICO, S.A. de C.V.

TERMAZCAL 19-B, LA LOMA
TLALNEPANTLA, EDO de MEX,
54130, MEXICO
(P) 52 55 5390 5664
(F) 52 55 5390 5530

RollEase® is a registered trademark of RollEase Inc. – Stanford, CT.