

Glystro[®] Direct Drive Drapery Motor

A Grand Opening in Drapery Automation



somfy.

With smooth operation and noise reduction technology, Glystfo is designed to automate drapery window coverings while offering a variety of control options. Glystfo is available with built-in Radio Technology Somfy™ (RTS) and compatible with all Somfy RTS controls which include a Telis hand held transmitter, Decora wireless wall switch, Chronis programmable timer and home automation interfaces.

System Facts

Easy Installation: Compact and lightweight for simple installation on the wall or ceiling

Smooth and Quiet Operation: Direct drive belt motor enables quiet operation at 50 dba.

Manual Override System: During power outages it is still possible to manually adjust the drapery.

Flexible Control Options: Fully compatible with infrared and Radio Technology Somfy™ (RTS) accessories including home automation interfaces.

Robust Capacity: Capable of traversing up to 70 lbs. of fabric 20 ft. with split draw set up.

Simple to Program: Advanced electronics eliminates the need for manual limit setting.

Weight and Size Specifications

Linear Track

SIDE DRAW		SPLIT DRAW	
TRACK LENGTH	WEIGHT LIMIT	TRACK LENGTH	WEIGHT LIMIT
6.5 FT.	46 LBS.	6.5 FT.	55 LBS.
10 FT.	70 LBS.	10 FT.	70 LBS.
20 FT.	62 LBS.	20 FT.	70 LBS.
30 FT.	55 LBS.	30 FT.	62 LBS.
39 FT.	44 LBS.	39 FT.	55 LBS.

Curved Track

SIDE DRAW		SPLIT DRAW	
TRACK LENGTH	WEIGHT LIMIT	TRACK LENGTH	WEIGHT LIMIT
15 FT.	44 LBS.	15 FT.	-
20 FT.	33 LBS.	20 FT.	44 LBS.
30 FT.	27.5 LBS.	30 FT.	38.5 LBS.
39 FT.	5.5 LBS.	39 FT.	11 LBS.

Control Options and Accessories

Standard Infrared "Point and Shoot" Control



6300879

6300989

6300988

Advanced Omni-Directional Radio Frequency Control

Telis 1 & 4 RTS Transmitters Decora RTS Wireless Wall Switches



1 CHANNEL
6301014

5 CHANNEL
6301015

1 CHANNEL
6301033

5 CHANNEL
6301025

Chronis Wireless Timer



6300383

Coming Soon! The New Telis Collection



1 CHANNEL
1810632

5 CHANNEL
1810633

1 CHANNEL
1810639

5 CHANNEL
1810641

1 CHANNEL
1810650

5 CHANNEL
1810652

Impresario Chronis RTS

Telis Composio RTS



1810661

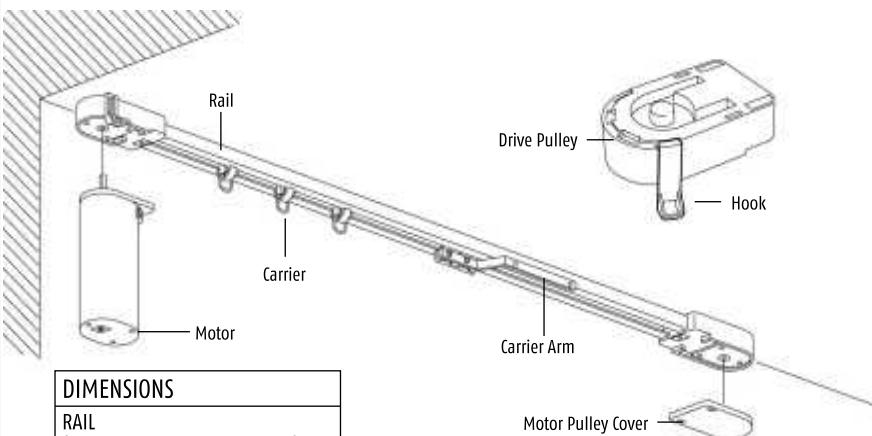
1810662

1810660

1810659



Set Up Diagram of the Complete System



DIMENSIONS

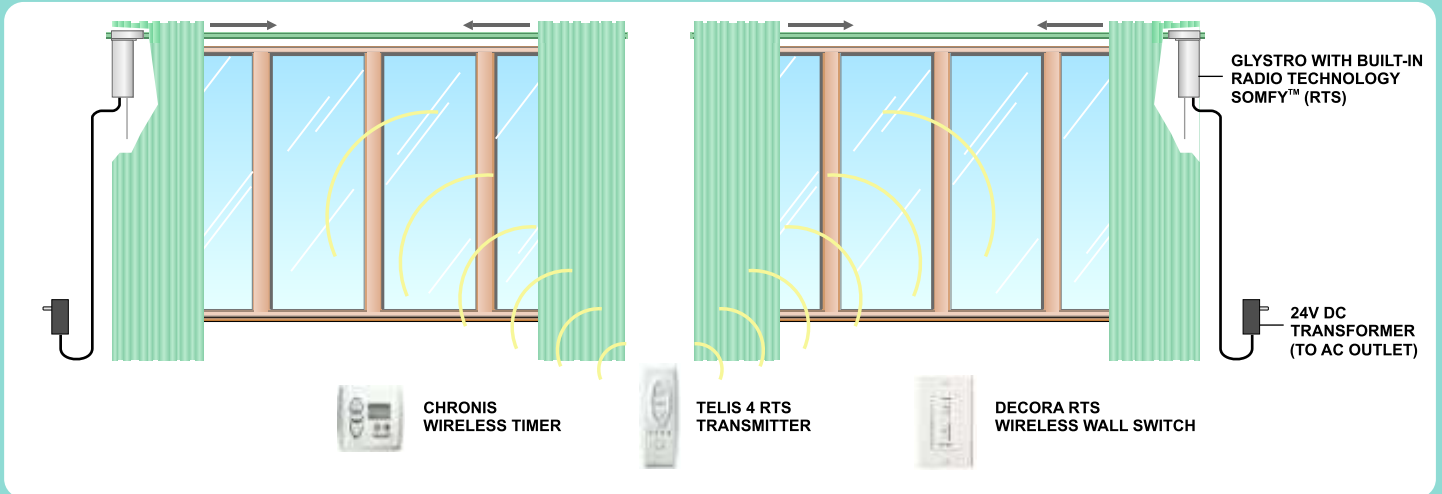
RAIL
(L-Varies x D-1 3/8" x H-1")

MOTOR
(W-3" x D-2" x H-9 1/2")

Choose from a variety of control options including Radio Technology Somfy™ (RTS) accessories.

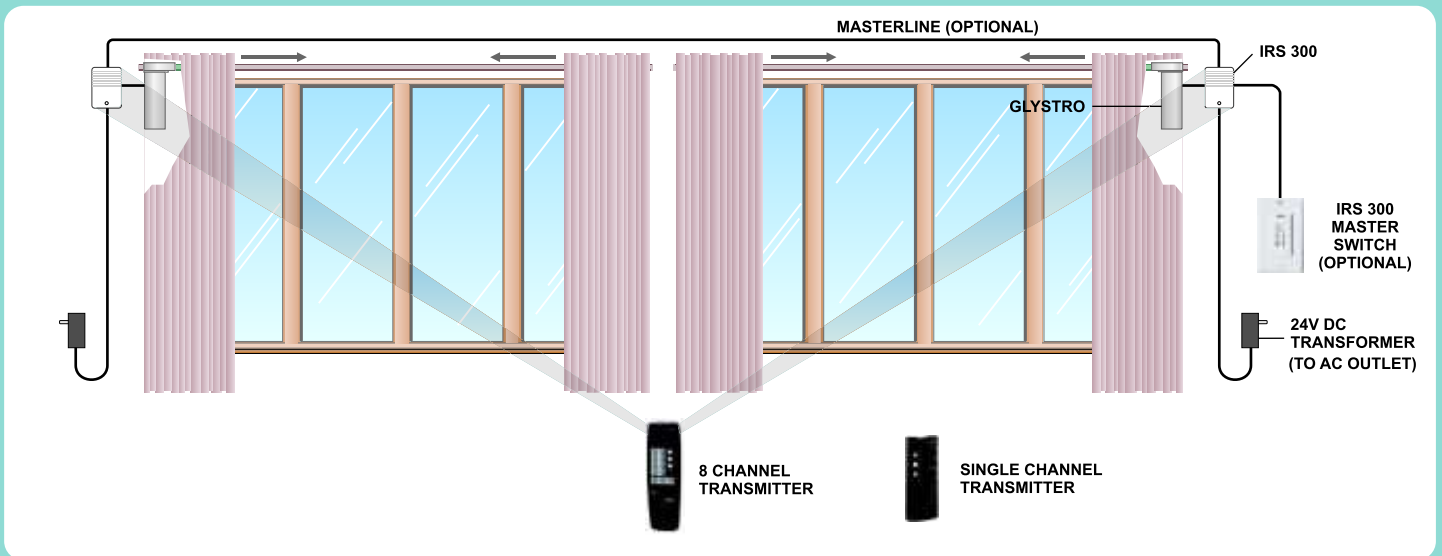
Radio Technology Somfy™ (RTS)

Long range, omni-directional radio control eliminates the need to point or aim transmitter at a drapery allowing for enhanced control of individual or groups of window coverings. With Radio Technology Somfy™ (RTS) it's possible to combine handheld remotes, wireless wall switches, wireless programmable timers and home automation interfaces for flexible control throughout the home.



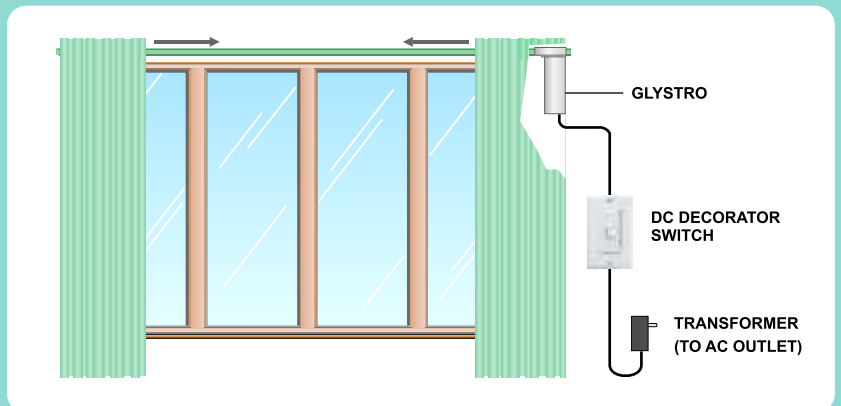
Infrared

Point and shoot a Somfy hand held transmitter to control window coverings within line of sight. Somfy offers a single and 8-channel infrared remote to accommodate varying installation requirements.



DC Wired Wall Switch

Designed to provide simple hardwired control for Glystro® direct drive drapery motor.



SOMFY SYSTEMS, INC.
North America Headquarters

47 Commerce Drive
Cranbury, NJ 08512
Phone: US: 1-800-22-SOMFY
NJ: (609) 395-1300
Fax: (609) 395-1776

SOMFY ULC
SOMFY Canada Division

6315 Shawson Drive, Unit #1
Mississauga, Ontario L5T1J2
Phone CN: 1-800-66-SOMFY
CN: (905) 564-6446
Fax: (905) 564-6448

SOMFY MEXICO, S.A. de C. V.

Calle 3 No. 47, Loc. E-5
Fracc Ind. Alce Blanco
Nau., Edo. de Mex
C.P. 53370, Mex
Tel. 011 (525) 55 576-3421
Fax: 011 (525) 55 576-3443

FLORIDA

6100 Broken Sound Pkwy. N.W., Suite 14
Boca Raton, FL 33487
Phone: (877) 227-6639
Fax: (561) 995-7502

CALIFORNIA

520 West Central Ave., Suite A
Brea, CA 92821
Phone: (877) 727-6639
Fax: (714) 255-1278