

# Glystro®

## Programming & Operating Instructions

### I. Infrared (IR) Control - Somfy IRS 300

#### Description

The Somfy IRS 300 provides multi-channel infrared control for Somfy's Glystro® direct drive drapery motor.

- Up to 8 Channel Infrared Control
- Optional Wall Switch Control
- Individual & Group Control
- Dry Contact Interface for Home Automation Applications



IRT 103\*  
Single Channel  
Transmitter  
CAT. No. 6300879

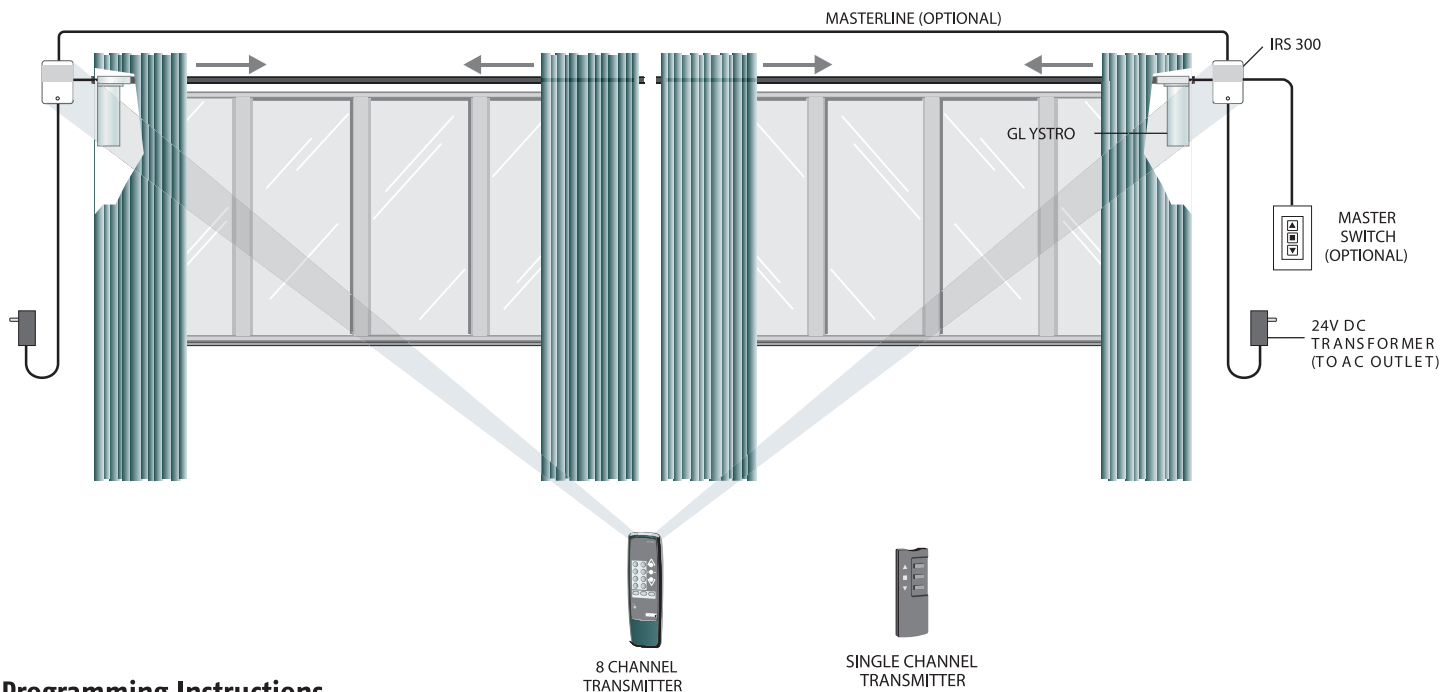


IRS 300  
CAT. No. 6300989



IRT 803  
8 Channel  
Transmitter  
CAT. No. 6300988

#### IRS300 Application Drawing



#### Programming Instructions

##### SETTING IR ADDRESSES (CHANNELS) FOR IRT803

- Press and hold the PROGRAM button on the IRT803 Transmitter for at least 5 seconds. The drapery will respond by briefly traversing.
- Press the number "1" button on the transmitter, the drapery will stop moving. Press a numeric button corresponding to the desired individual address (channel). The control will respond by briefly traversing the drapery.
- Press the PROGRAM button to exit.

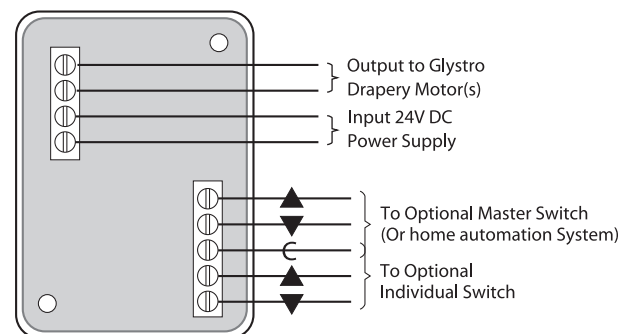
#### Operating Instructions

- Aim transmitter at drapery(s) to be operated
- Press the button corresponding to the desired channel (ie. 1,2,...8).
- To open or close the drapery(s) press the▲ or▼ button.
- To stop the drapery(s) press the center stop -0- key.

Note: Drapery will stop automatically when opening and closing.

\*For detailed IRT 103 programming instructions, please refer to instructions included with IRS 300.

#### IRS300 Wiring Diagram



## II. Radio Technology Somfy™ (RTS) Control – Glystro® RTS Continued

### Programming Instructions

#### SETTING INDIVIDUAL ADDRESSES (CHANNEL)

- Press and hold the programming button on the Glystro® RTS for 5 seconds. (See Wiring Diagram) The drapery will respond by briefly traversing.
- Press the programming button on the RTS accessory (ie. Telis 1, Telis 4, Decora 1, Decora 4 or Chronis Timer) until drapery briefly traverses. Note: For Telis 4 or Decora 4 the desired channel must be selected prior to pressing the programming button.
- Multiple draperies can be set to the same address (channel) for group control operation.

#### SETTING AN INTERMEDIATE (PREFERRED) POSITION

- Begin with drapery completely closed.
- Identify the directional button on the remote which opens the drapery. (Note: This button will be either ▲ or ▼ depending on the drapery rod type.)
- Return drapery to completely closed position as in 1st step.
- Press and hold the center (stop) and direction button which opens drapery simultaneously. The drapery will respond by moving towards the open position.
- Press the center (stop) button to stop drapery at intermediate (preferred) position.
- Press and hold the center (stop) button. The drapery will respond by traversing briefly.
- The intermediate (preferred) position has now been recorded. (Note: To open to intermediate (preferred) position, press the center (stop) button when the drapery is in the completely closed position.)

#### ADDING A NEW RTS ACCESSORY TO THE Glystro® RTS

- Press and hold the programming button on the on the previously programmed accessory (ie. Telis 1, Telis 4, Decora 1, Decora 4, Chronis Timer). The drapery will respond by briefly traversing.
- Press and hold the programming button on the new accessory to be added. The drapery will respond by briefly traversing. The new accessory has been added.

#### REMOVING AN RTS ACCESSORY FROM THE Glystro® RTS

- Press and hold the programming button on the RTS accessory already memorized (not the one to be removed). The drapery will respond by briefly traversing. (Note: For Telis 4 & Decora 4 select the channel to be deleted from memory prior to pressing the programming button)
- Press and hold the programming button on the RTS accessory/channel to be removed from the Glystro® RTS memory.
- This RTS accessory/channel will no longer operate the Glystro® RTS.

### Operating Instructions

- Press the UP or DOWN button to traverse the drapery open or closed.
- To stop the motorized drapery, press the CENTER button at any time.
- To reach the intermediate position press the center (stop) button when the drapery is in the completely closed position.

Note: Drapery will stop automatically when opening and closing.

## II. Radio Technology Somfy™ (RTS) Control - Glystro® RTS

### Description

Somfy's Glystro® RTS utilizes Radio Technology Somfy and is compatible with all RTS accessories including:

- Telis 1 & Telis 4 Hand-held Transmitters
- Decora 1 & Decora 4 Wireless Wall Switches
- Chronis Wireless Programmable Timer
- Universal RTS Interface for Home Automation Applications



Chronis Timer  
CAT. No. 6300383

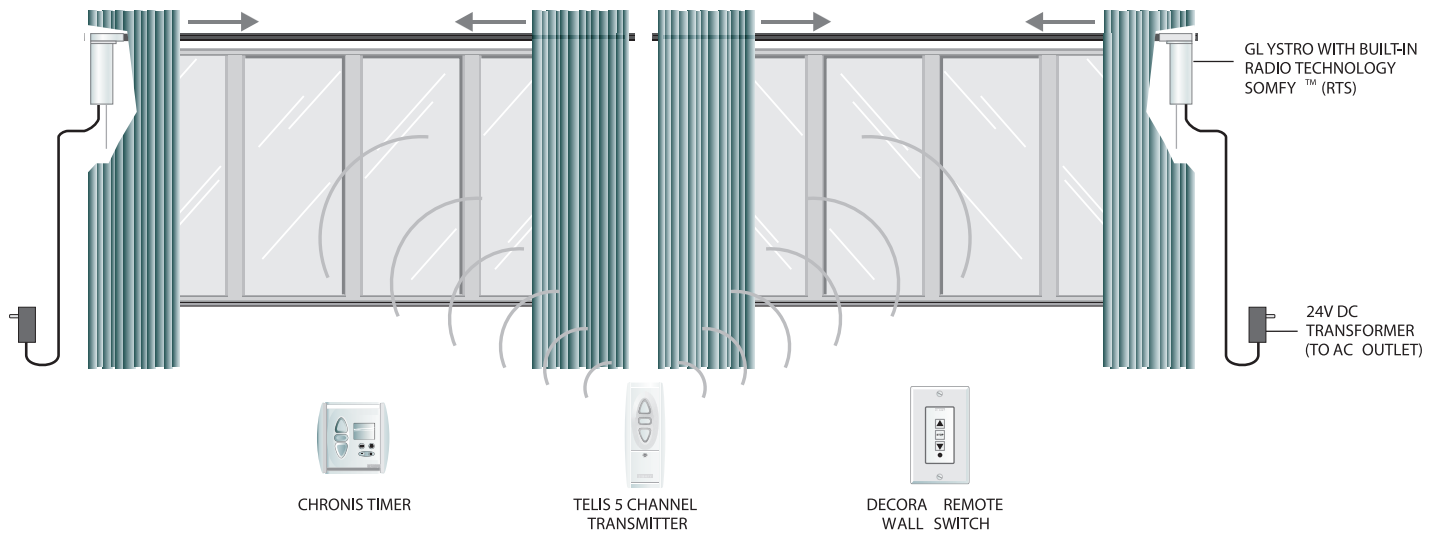


Telis Timer  
CAT. No. 6301014 (1 channel)  
CAT No. 6301015 (5 channel)

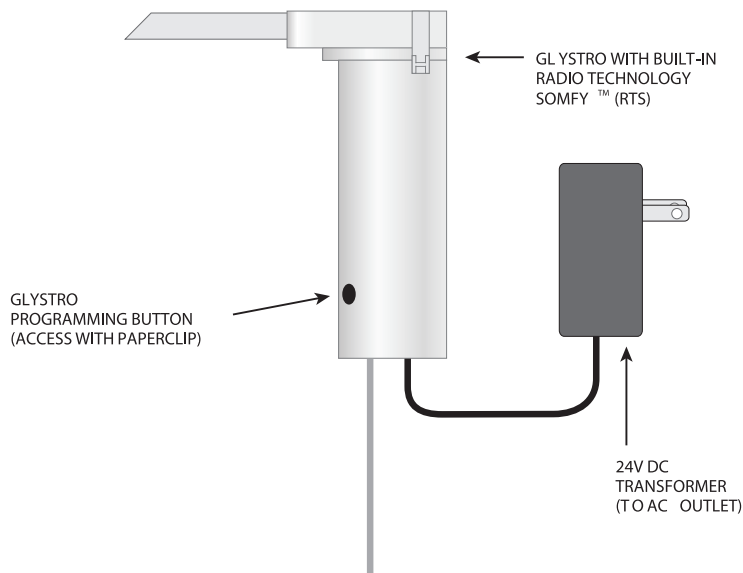


Decora Wireless Wall Switch  
CAT. No. 6301033 (1 channel)  
CAT No. 6301025 (5 channel)

### Radio Technology Somfy™ (RTS) Control Application Drawing



### Wiring Diagram



### III. Basic Hardwired Control – Decorator DC Switch

#### Description

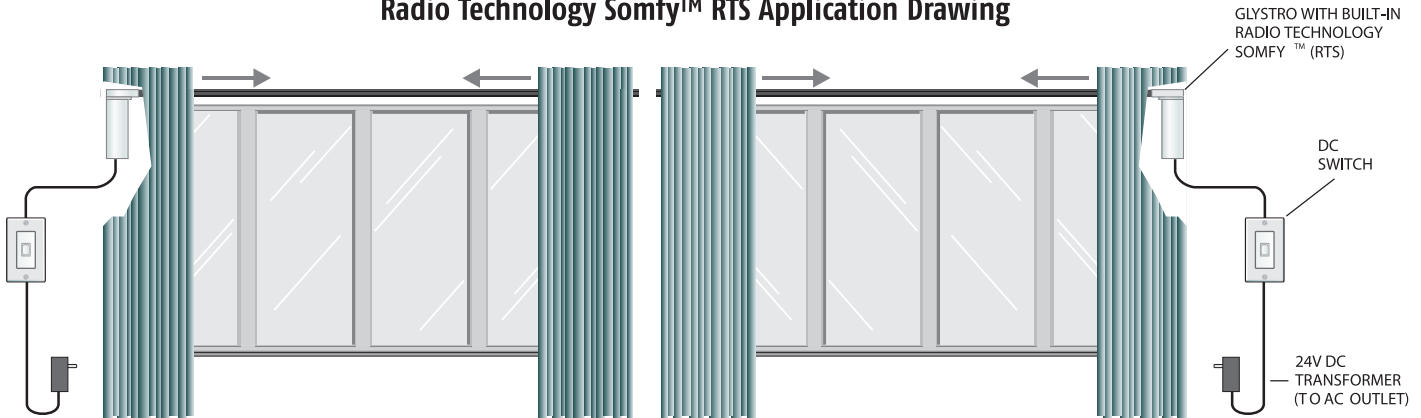
Somfy's Decorator DC Switch provides basic hardwired control for Glystro® Direct Drive Drapery Motor.

- Designed to be compatible with Decora face plates
- Maintained contact for easy push button activation



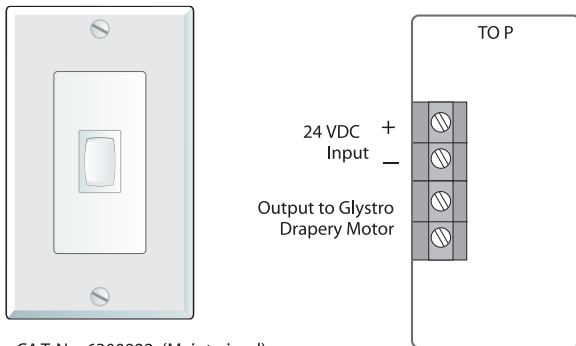
DC Switch  
 CAT No. 6300922 (Maintained)  
 CAT No. 6300967 (Momentary)

#### Radio Technology Somfy™ RTS Application Drawing



#### Wiring Diagram

SINGLE DC SWITCH WIRING



CAT No. 6300922 (Maintained)  
 CAT No. 6300967 (Momentary)

#### Operating Instructions

- Press button to open or close drapery
- To stop drapery, return switch to the "center" position.

Note: Drapery will stop automatically when opening and closing.

**SOMFY SYSTEMS, INC.**  
**NORTH AMERICA HEADQUARTERS**  
 47 COMMERCE DRIVE  
 CRANBURY NJ 08512  
 (P) 800 222 SOMFY  
 (P) 609 395 1300  
 (F) 609 395 1776

**SOMFY FLORIDA**  
 6100 BROKEN SOUND PKWY  
 NORTHWEST SUITE 14  
 BOCA RATON, FL 33487  
 (P) 877 227 6639  
 (P) 561 995 0335  
 (F) 561 995 7502

**SOMFY CALIFORNIA**  
 15291 BARRANCA PKWY  
 IRVINE, CA 92618  
 (P) 877 727 6639  
 (F) 949 727 3775

**SOMFY CANADA**  
 6315 SHAWSON DRIVE UNIT 1  
 MISSISSAUGA, ONTARIO L5T1J2  
 (P) 800 667 6639  
 (P) 905 564 6446  
 (F) 905 564 2679

**SOMFY MEXICO, S.A. de C.V.**  
 TERMAZCAL 19-B, LA LOMA  
 TLALNEPANTLA, EDO de MEX,  
 54130, MEXICO  
 (P) 52 55 5390 5664  
 (F) 52 55 5390 5530